



2019 Price List

Effective January 1, 2019

Film Archival and Art House Products

REWIND INSPECTION SYSTEMS
FILM GUIDANCE HARDWARE
ADVANCED TECHNOLOGY ANALOG READERS
DOLBY® DIGITAL BASEMENT READERS
SOUND SYSTEM ACCESSORIES
PROJECTOR UPGRADES

KELMAR SYSTEMS INC., 284 BROADWAY, HUNTINGTON STATION, NY 11746
PHONE 631-421-1230 FAX 631-421-1274
sales@kelmarsystems.com
www.kelmarsystems.com



Table of Contents

Due to limited parts availability it is advised that you contact Kelmar Systems prior to placing an order to assure availability and correct pricing.

*All prices shown are suggested list.
Prices are subject to change without notice.*

Film Handling Equipment & Accessories

Rewind Inspection Systems and Accessories	2-4
2000 Series Reel Arm and Platter Guidance Roller Systems.....	5
7000 Series Reel Arm Systems for 35/70 MM and Platter Guidance Roller Systems.....	5
7000 & 8000 Series Guidance Roller Systems.....	6
Interlock Loop Accumulator and Guidance Roller Systems	7
Film Cleaning and Conditioning Equipment	8
Digital and Standard Cue Detection Systems & Accessories.....	9

Audio Systems

Advanced Technology Red LED Analog Systems for Cyan Soundtracks.....	10
Kelmar/Dolby® Digital/Analog Basement Reader	11
The Docker for Digital Penthouses	12
Solar Cells.....	13

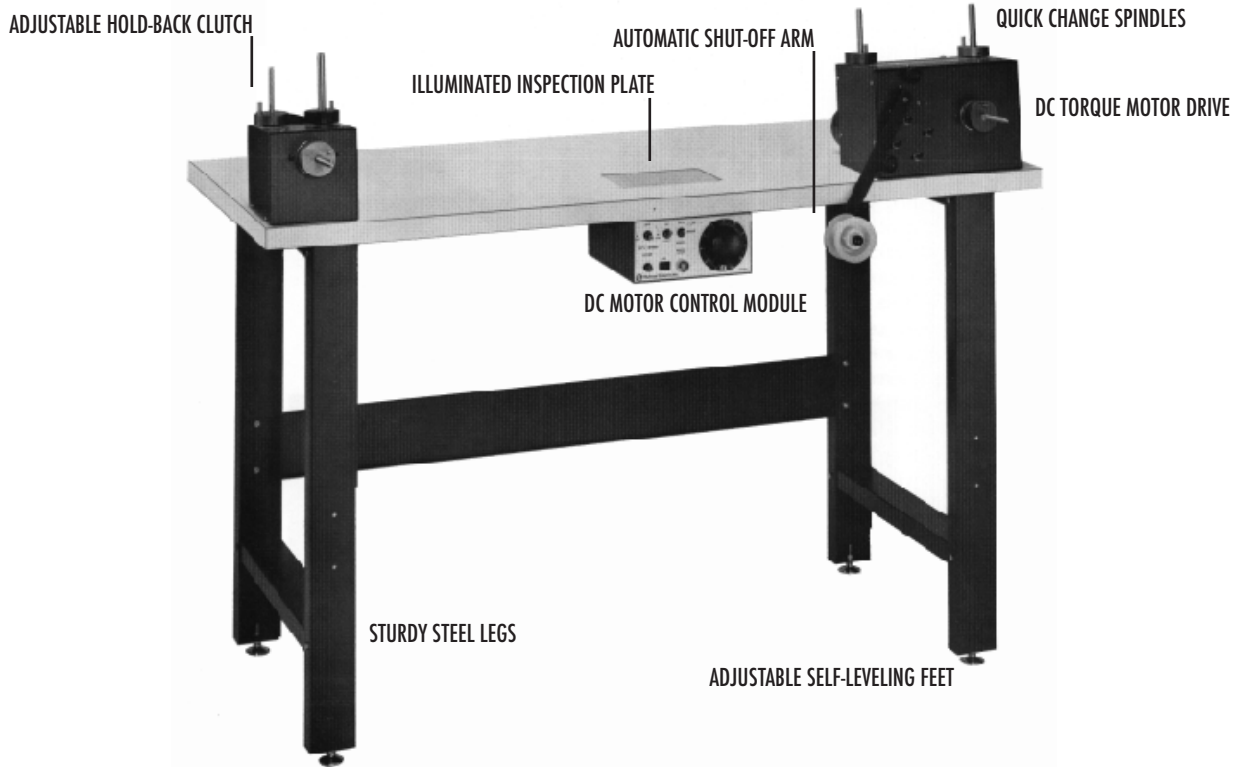
Projector Upgrade Systems

Changeover/ Douser Systems.....	14
---------------------------------	----

**IF THERE IS SOMETHING NOT LISTED HERE THAT YOU MIGHT NEED.
PLEASE CONTACT KELMAR SYSTEMS WE DO STILL HAVE AVAILABILITY OF
MOST ALL ITEMS WE HAVE OFFERED IN THE PAST.
FILM BASED AUTOMATIONS, TURRETS, GATE AND TRAP CONVERSIONS.**



Film Handling Equipment & Accessories



Standard Rewind Inspection Systems

(shown)

RTV-8900A

Deluxe DC Drive Variable Speed Rewind/Inspection System, with reversible powerhead, programmable control, automatic shutoff, and a built-in illuminated inspection plate, complete with a 24" x 60" x 1 1/2" mica covered table including sturdy steel legs and cross brace.

RTV-8900B

As above but features a slim line mica covered table, 14" x 60" x 1 1/2", for use in restricted space applications.

Dual Drive Rewind Inspection Systems

RTV-8900-2A

Dual Drive System, with both left and right head assemblies fully powered and reversible, programmable control, automatic shutoff, and a built-in illuminated inspection plate, complete with a 24" x 60" x 1 1/2" mica covered table including sturdy steel legs and crossbrace.

RTV-8900-2B

As above but features a slim line mica covered table, 14" x 60" x 1 1/2", for use in restricted space applications.

Please see page 4 for System Ordering information, and page 5 for accessories



Film Handling Equipment & Accessories

Standard Rewind Inspection Systems

RTV-8900A-5/16	Standard System with Full Size Table, c/w (2) 7635160-4 5/16" shafts with drive key and (2) 7525160-2 5/16" shafts with drive pin.....	\$ 4,850.00
RTV-8900A-1/2	Standard System with Full Size Table, c/w (2) 7635160-4 5/16" shafts with drive key and (2) 7525160-1 1/2" shafts with drive pin.....	4,850.00
RTV-8900A-220-5/16	Standard System with Full Size Table for 220 Volt Operation, c/w (2) 7635160-4 5/16" shafts with drive key and (2) 7525160-2 5/16" shafts with drive pin.....	4,950.00
RTV-8900A-220-1/2	Standard System with Full Size Table for 220 Volt Operation, c/w (2) 7635160-4 5/16" shafts with drive key and (2) 7525160-1 1/2" shafts with drive pin.....	4,950.00
RTV-8900B-5/16	Standard System with Slim Line Table, (2) 7635160-4 5/16" shafts with drive key and (2) 7525160-2 5/16" shafts with drive pin.....	4,850.00
RTV-8900B-1/2	Standard System with Slim Line Table, c/w (2) 7635160-4 5/16" shafts with drive key and (2) 7525160-1 1/2" shafts with drive pin.....	4,850.00
RTV-8900B-220-5/16	Standard System with Slim Line Table for 220 Volt Operation, c/w (2) 7635160-4 5/16" shafts with drive key and (2) 7525160-2 5/16" shafts with drive pin.....	4,950.00
RTV-8900B-220-1/2	Standard System with Slim Line Table for 220 Volt Operation, c/w (2) 7635160-4 5/16" shafts with drive key and (2) 7525160-1 1/2" shafts with drive pin.....	4,950.00

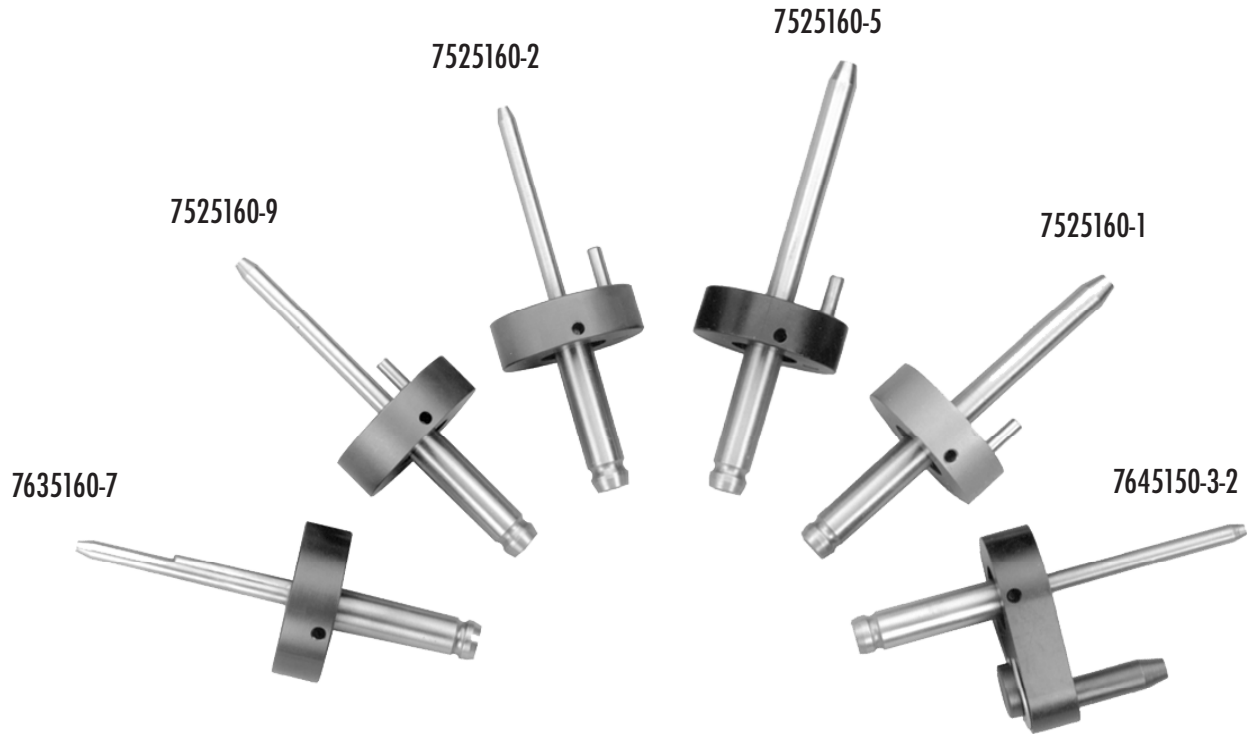
Dual Drive Rewind Inspection Systems

RTV-8900-2A-5/16	Dual Drive System with Full Size Table, c/w (2) 7635160-4 5/16" shafts with drive key and (2) 7525160-2 5/16" shafts with drive pin.....	\$ 5,500.00
RTV-8900-2A-1/2	Dual Drive System with Full Size Table, c/w (2) 7635160-4 5/16" shafts with drive key and (2) 7525160-1 1/2" shafts with drive pin.....	5,500.00
RTV-8900-2A-220-5/16	Dual Drive System with Full Size Table for 220 Volt Operation, c/w (2) 7635160-4 5/16" shafts with drive key and (2) 7525160-2 5/16" shafts with drive pin.....	5,650.00
RTV-8900-2A-220-1/2	Dual Drive System with Full Size Table for 220 Volt Operation, c/w (2) 7635160-4 5/16" shafts with drive key and (2) 7525160-1 1/2" shafts with drive pin.....	5,650.00
RTV-8900-2B-5/16	Dual Drive System with Slim Line Table, c/w (2) 7635160-4 5/16" shafts with drive key and (2) 7525160-2 5/16" shafts with drive pin.....	5,500.00
RTV-8900-2B-1/2	Dual Drive System with Slim Line Table, c/w (2) 7635160-4 5/16" shafts with drive key and (2) 7525160-1 1/2" shafts with drive pin.....	5,500.00
RTV-8900-2B-220-5/16	Dual Drive System with Slim Line Table for 220 Volt Operation, c/w (2) 7635160-4 5/16" shafts with drive key and (2) 7525160-2 5/16" shafts with drive pin.....	5,650.00
RTV-8900-2B-220-1/2	Dual Drive System with Slim Line Table for 220 Volt Operation, c/w (2) 7635160-4 5/16" shafts with drive key and (2) 7525160-1 1/2" shafts with drive pin.....	5,650.00

Please contact Kelmar for Custom Size Tables, 16mm and 70mm Systems



Film Handling Equipment & Accessories



7525220



9204030

Accessories for Rewind Inspection Systems

7525160-1	1/2" Shaft, with drive pin (blue).....	\$ 110.00
7645160-3-1	1/2" Shaft, with finger hole drive.....	200.00
7525160-2	5/16" Shaft, with drive pin (red).....	110.00
7645160-3-2	5/16" Shaft, with finger hole drive	200.00
7635160-4	5/16" Shaft with drive key	115.00
7635160-7	5/16" Shaft, with extended drive key for plastic shipping reels .	145.00
7525160-5	70mm Shaft with drive pin.....	150.00
7525160-6	16mm Shaft.....	150.00
7525160-9	9mm Shaft, with drive pin.....	150.00
7525220	8" Trailer Flange.....	\$ 145.00
9204030	16" Universal Film Transfer Flange	350.00
7713030	Handle for Manual turning of reels	\$ 120.00
7305227	Mounting Bracket For Neumade Film Machine	185.00
7402078	35mm Auto Shutoff Roller, with bearings	\$ 60.00
7402079	70mm Auto Shutoff Roller, with bearings	90.00
7525197	70mm Auto Shutoff Shaft and Spacer.....	70.00
7635217	16mm Auto Shutoff Roller, with bearings	105.00



Film Handling Equipment & Accessories



RSA-2000-1 2000 Series Reel Arm Systems

RSA Systems for standard reel-to-reel operation.
Each set includes one upper arm, one lower arm, bypass rollers, belt kit, hardware and instructions.

RSA-2000-1/2	1/2" shafts	\$ 1,025.00
RSA-2000-5/16	5/16" shafts	1,025.00

BELTKIT	Drive Belt Replacement Kit for Reel Arms	32.00
---------	--	-------



PGS-2000-1

PGS Systems for platter type film delivery

Each set includes one upper arm, one lower arm, two guidance and keeper rollers, bypass rollers, belt kit, hardware and instructions.

PGS-2000-1/2	1/2" shafts	\$ 1,325.00
PGS-2000-5/16	5/16" shafts	1,325.00

RSA 7000-6 for 35/70 reel to reel operation.

Each set includes one 35/70 upper arm complete with adaptor plate, one 35/70 lower arm, 70mm 1/2" shafts only, bypass rollers, belt kit, hardware and instructions.

RSA-7000-6	for Century 35/70	\$ 1,550.00
------------	-------------------------	-------------

PGS Systems for 35/70 platter type film delivery

Each set includes one 35/70 upper arm c/w adaptor plate, one 35/70 lower arm, 70mm 1/2" shafts only, 35/70 film guidance rollers, bypass rollers, belt tightener assembly kit, hardware and instructions.

PGS-7000-6	for Century 35/70	1,805.00
------------	-------------------------	----------

Parts to convert 35/70 systems to 35mm capability

720314	5/16" 35mm Shaft End	\$ 230.00
720315	1/2" 70mm Shaft End	230.00
720317	1/2" 35mm Shaft End	230.00
720319	9mm Shaft End	240.00
720394	17.5mm Spacer (required with 720314, 720317 and 720319)	75.00
720576	35/70 Bypass Roller Assembly	100.00

BELTKIT	Drive Belt Replacement Kit for Reel Arms	32.00
---------	--	-------



Shown with optional 35MM Shaft ends



Film Handling Equipment & Accessories

Film Guidance Hardware for 7000 Series

PGS-730110



PGS-730110	Two 35mm universal swivel rollers complete with mounting studs to convert a RSA to a PGS set	\$ 310.00
PGS-730111	Two 70mm universal swivel rollers complete with mounting studs	410.00
PGS-730112	Two 35mm and two 70mm universal swivel rollers with one common set of mounting studs	710.00

Film Guidance Hardware for Wall or Surface Mounting

PGS-730110-E



PGS-730110-E	Two 35mm universal swivel rollers complete with mounting studs and pads for wall mounting	\$ 350.00
PGS-730111-E	Two 70mm universal swivel rollers complete with mounting studs and pads for wall mounting	520.00
PGS-730112-E	Two 35mm and two 70mm universal swivel rollers with one common set of mounting studs and pads for wall mounting	725.00
7612037	Fixed 35mm guidance and keeper roller, extension shaft and all-purpose mounting plate.....	165.00
7612035-C	Fixed 35mm film guidance and keeper roller, complete with right angle bracket for ceiling mounting.....	175.00

PGS-830110-E



Film Guidance Hardware for 8000 Series

PGS-830110	Two 35mm guidance and keeper rollers complete with mounting studs to convert RSA set to a PGS set	\$ 310.00
PGS-830111	Two 70mm guidance and keeper rollers complete with mounting studs	360.00
PGS-830112	Two 35mm and two 70mm guidance and keeper rollers with one common set of mounting studs	610.00

Film Guidance Hardware for wall or surface mounting

PGS-830110-E	Two 35mm guidance and keeper rollers complete with mounting studs and pads for wall mounting	\$ 350.00
PGS-830111-E	Two 70mm guidance and keeper rollers complete with mounting studs and pads for wall mounting	420.00
PGS-830112-E	Two 35mm and two 70mm guidance keeper rollers with one common set of mounting studs and pads for wall mounting ..	630.00

Super Guides for use where reel to reel operation is not required

Each set includes one upper and one lower double swivel transfer arm, complete with mounting pads, ball bearing adjustable bypass rollers and mounting hardware.

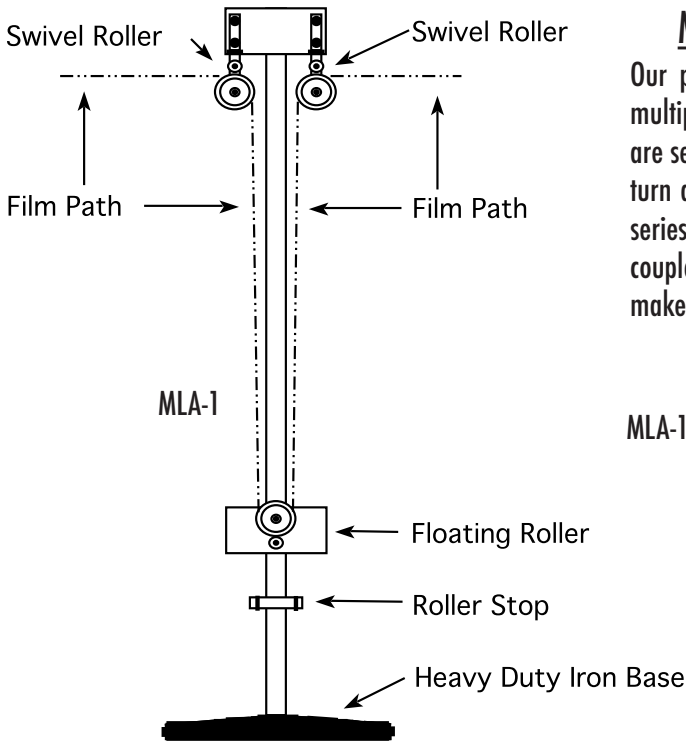
8408240-2	35mm Super Guides	\$ 455.00
8408260-2	70mm Super Guides	695.00



8408240-2

Film Handling Equipment & Accessories

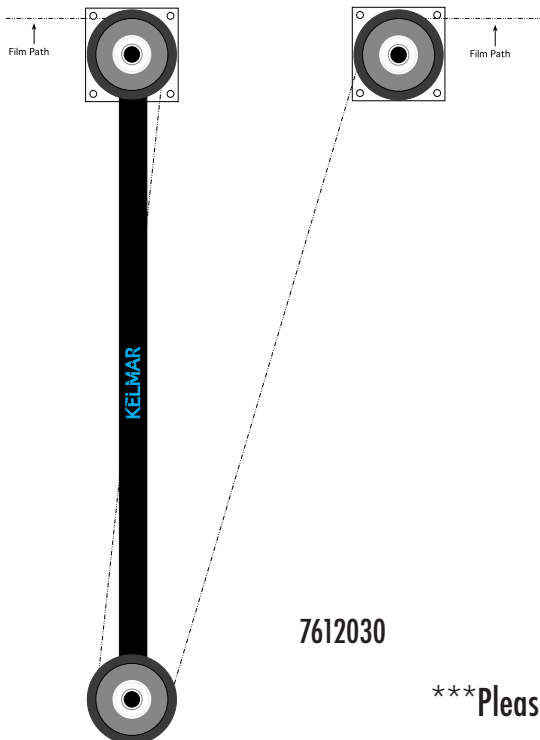
Interlock Loop Accumulators



Movable Loop Accumulator

Our portable film transfer/loop accumulator from Kelmar is the perfect multiplex accessory. The large, wide flange ball bearing guide rollers are self-aligning and static free. Film transfer is effortless and can even turn around corners without loading. Three or more units can work in series for those long range assignments. The modest price of this system coupled with the quality of components and outstanding performance make this product a best buy.

MLA-1 35mm Portable film loop accumulator \$ 750.00
 *** 70mm Version is available ***



Fixed Film Loop Accumulator

35mm wall mount film loop accumulator, used for interlock operation, keeps tension on film between projectors.

7612030-WM 35mm Wall mount film loop accumulator \$ 325.00
 7612030-C 35mm Ceiling mount film loop accumulator..... 395.00

*** 70mm Version is available ***

Please contact Kelmar Systems Inc. for Pricing and Availability



Film Handling Equipment & Accessories



ALL CLEANING MEDIAS ARE TREATED
WITH ANTI-STATIC COMPOUND

Film Cleaner Equipment

Automatic Film Cleaner, a self powered dual media system, mounts on all standard projectors or film delivery systems, complete with mounting bracket, one set of media and hardware.

8400/35-A	35mm, with Autowind/Platter Bracket ...	\$ 875.00
8400/35-P	35mm, with Projector Bracket	875.00
8400/35	35mm, without Mounting Bracket	810.00
8400/70-A	70mm, with Autowind Bracket	***
8400/70-P	70mm, with Projector Bracket	***

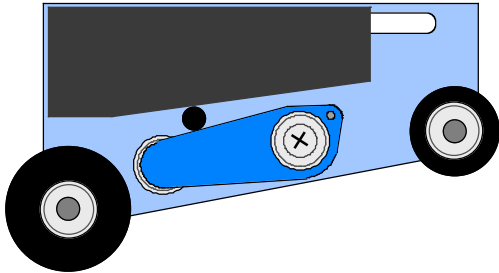
Film Cleaner Accessories

7508229	35mm Autowind Bracket.....	105.00
7508230	35mm Projector Bracket	105.00
7508317	70mm Autowind Bracket.....	***
7508330	70mm Projector Bracket	***
7508277-3	V5 and V8 Adapter Plate	80.00
7508315	35mm Adapter Plate, for 70mm Cleaner.....	75.00
7508212	70mm White Cleaning Media (6 sets)	95.00
7508213	35mm White Cleaning Media (8 sets)	55.00
7508216	35mm Green Cleaning Media (8 sets).....	70.00

White Media has 5 Yards per spool
Green Media has 8 Yards per spool

*** Please contact Kelmar Systems Inc. for Pricing and Availability ***

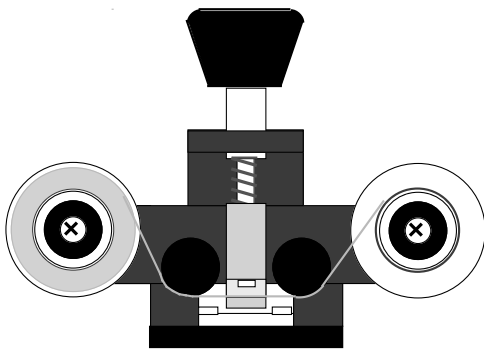
Automation Accessories



Digital Cue Detection Systems

UDH-2-3503-AB (3 function)	Digital 35mm 2 Sensor Cue Detector/Failsafe Assembly, complete with 7940 Electronic Decoder Board and American Bracket \$ 735.00
UDH-2-3507-AB (7 function)	Digital 35mm 2 Sensor Cue Detector/Failsafe Assembly, complete with 7940 Electronic Decoder Board and American Bracket 855.00
UDH-2-2070/2H	As above, except 70mm ***
UDH-2-2070/3H	As above, except 70mm ***

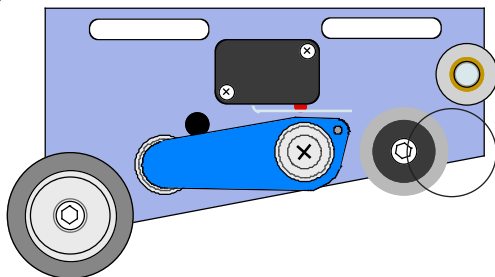
Brackets are available for Cinemeccanica V4, V5, V8



Digital Cue Applicator

The automatic Digital Cue Applicator places small aluminized mylar cues exactly where they should be on the frame line for Kelmar Style Cue Detectors or on the Edge and Center of the film for others. A roll of 1/2" wide tape contains approximately 1800 individual cues. The applicator ensures flawless operation of our digital cue detector and its associated automation system.

DCA-KS/35	35mm Digital Cue Applicator for Kelmar.....	\$ 530.00
DCA-ER/35	35mm Digital Cue Applicator for Others.....	530.00
KCF-12	Roll of 1/2" Cue Foil.....	11.00
KCF-316	Roll of 3/16" Cue Foil.....	11.00



Standard Cue Detection Systems

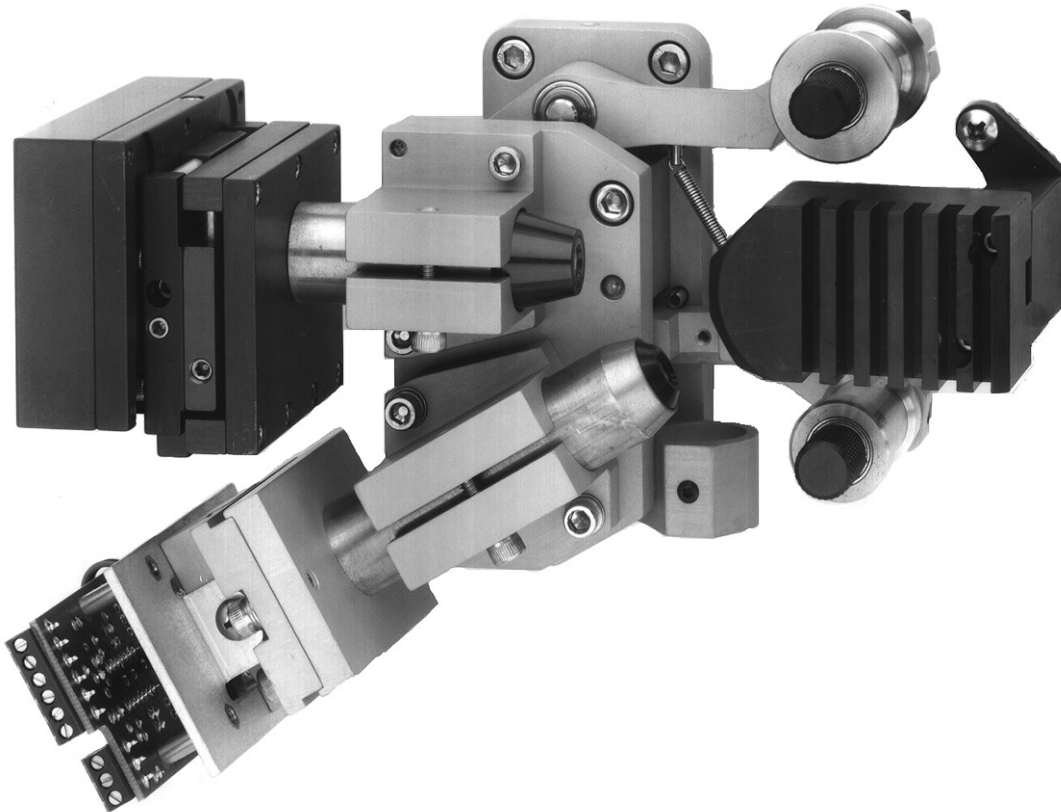
UDH-1-100/132	Universal 35mm Cue Detector/Failsafe with American Bracket \$ 420.00
UDH-1-160/132	Universal 35mm Triple Cue Detector/Failsafe with American Bracket 500.00

Brackets are available for Cinemeccanica V4, V5, V8

*** Please contact Kelmar Systems Inc. for Pricing and Availability ***



Audio Systems



Kelmar/Dolby® Digital Basement Reader

The new Kelmar Digital/Analog Basement Reader delivers, in one convenient package, flawless four-track analog stereo plus six-track Dolby® Digital performance. Proven design, all solid-state technology, massive heat sinks, conservative power supplies and rugged mechanical components add up to total reliability. The benefits of scanning both formats in a non-penthouse environment without any modification in film threading procedures are tremendous. All systems are thoroughly aligned, pre-focused and certified for your convenience. Field installation is straightforward and predictable. The system comes complete with all power supplies and hardware.

The interface cable between the digital pre-amp and the rack-mount processor is available from Kelmar or Dolby®.

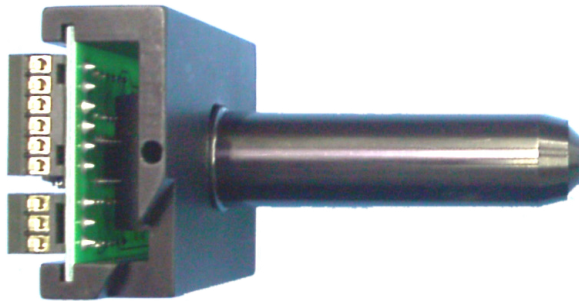
ATD-1274	Century / Westrex.....	\$ 3,925.00
ATD-1274-JJ	Century JJ-2	4,385.00
ATD-1276	Simplex	3,565.00

Digital Interface Cables

CATD-15	15 Foot Video Cable.....	\$ 205.00
CATD-30	30 Foot Video Cable	320.00
CATD-50	50 Foot Video Cable	445.00



Audio Systems Red LED Analog Readers for Cyan Soundtracks



Kelmar Advanced Technology Systems contain an integrated suite of solid state components developed by Dolby® Laboratories Inc. They deliver a quality of analog optical stereo unattainable with conventional hardware. Crosstalk is eliminated and frequency response is flat to 16 KHz. The solid-state light source is conservatively rated for 15,000 hours of operation. The optical assembly features independent, non-interactive adjustments for focus/ azimuth, vertical, and lateral settings. A high reliability switching DC power supply that operates on 80-240 Vac 50-60Hz completes the system.

Or you may prefer our DC Conversion Module which facilitates the use of your existing Exciter Supply for further economy.

Direct replacement retrofit systems are available for all major optical reproducers. Field installation is straightforward and standard set up procedures will hold for the life of the system.

DC Power Conversion Module For use with Existing Exciter Lamp Supply

AT-1274-DCPM	Century / Westrex LED Conversion Kit.....	\$ 865.00
AT-1275-DCPM	RCA LED Conversion Kit	905.00
AT-1276-DCPM	Simplex LED Conversion Kit w/ DC Power Conversion Module.....	905.00
AT-1279-DCPM	Cinemeccanica V4,5,8,9 LED Conversion Kit w/ DC Power Conversion Module.....	1,040.00
AT-1297-DCPM	Christie LED Conversion Kit w/ DC Power Conversion Module **	1,050.00

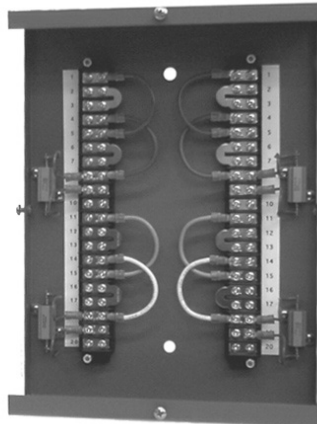
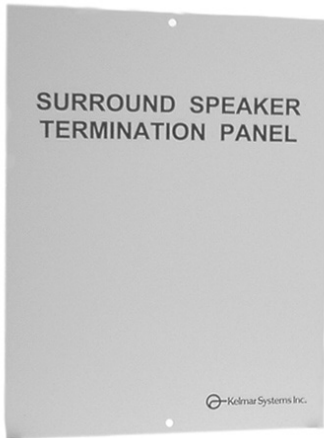
Conventional Line Voltage Power Supply Systems

AT-1274	Century / Westrex LED Conversion Kit.....	\$ 1,250.00
AT-1275	RCA LED Conversion Kit.....	1,290.00
AT-1276	Simplex LED Conversion Kit	1,180.00
AT-1279	Cinemeccanica V4,5,8,9 LED Conversion Kit.....	1,250.00
AT-1297	Christie LED Conversion Kit **	1,300.00

** Older Christie Soundheads will require the Sound Drum to be replaced with Part# AT-1297-SD 285.00



Audio Systems



Surround Speaker Termination Panel

The Kelmar JB-2000 Surround Speaker Termination Panel is a time saving convenience that pays for itself within hours. The Panel is shipped pre-wired for Four Individual Surround Channels. Twenty four Speakers can be fed in a balanced configuration. Precision dummy load resistors accommodate odd numbers of speakers. The enclosure is constructed of heavy gauge steel with all the appropriate KO's in both the top and bottom for efficient Installation. The panel can be easily mounted on either the Projection Booth Wall or on the Audio Rack at eye level for ease of installation and service. Clearly marked terminals and easy to follow instructions included with each panel make for a straight-forward and timely installation.

JB-2000-EX

Surround Speaker Termination Panel.....\$ 360.00

The Docker



The Docker is a winner for the multi-screen theatre complex. Installed on any standard projector without modification, it provides an accurate platform for the mounting of the Dolby® CAT-701,702 Digital Penthouse, BACP Digital Penthouse, DTS Readers, or Sony SDDS Penthouse. Just a few readers will satisfy the booking requirements of the most complex auditorium arrangement.

A precision mounting pad attaches to the base of the reader and creates a self-aligning, completely portable system that satisfies Dolby®, BACP, DTS and Sony technology. The Docker incorporates a rugged mounting pad for the support of the guidance hardware, which remains aligned and fixed in place.

The low initial cost, coupled with the convenience and ease of operation, guarantees an instant return on investment.

- 9411101 Docker Main Frame Assembly....\$ 475.00
- 9411104 Universal Reader Adaptor.....350.00



Audio Systems



DX-1074

Linear Transducers (Mono)

AX-1070	Basic Cell	\$ 90.00
AX-1074	Century	135.00
AX-1074/W	Westrex	135.00
AX-1075	RCA	135.00
AX-1076	Simplex	135.00
AX-1077	Motiograph.....	135.00



DX-1076

Bilateral Transducers (Stereo)

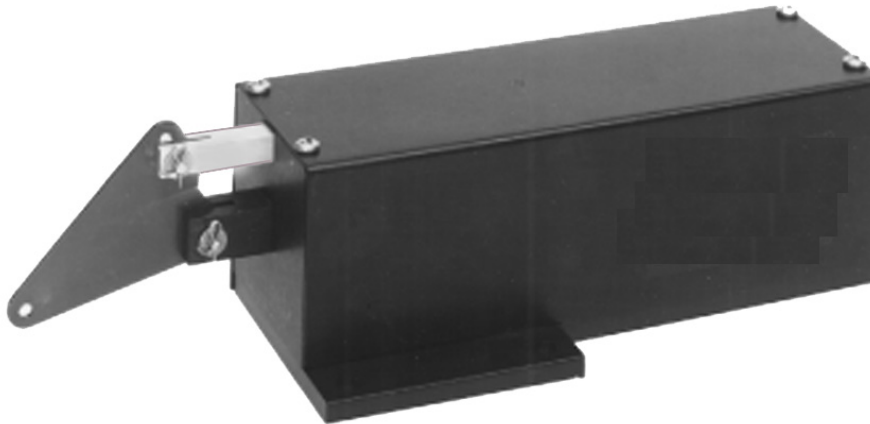
DX-1071	Stereo Cell Head Assembly ONLY, for Century, RCA, Simplex, Motiograph.....	\$ 145.00
DX-1072	Stereo Cell Head Assembly ONLY, for Cinemeccanica V4, V5 and V8. Norelco DP-75 and FP-20; specify if for FP-20.....	130.00
DX-1074	Century	200.00
DX-1074/W	Westrex	200.00
DX-1075	RCA	200.00
DX-1076	Simplex	200.00
DX-1077	Motiograph.....	200.00
DX-1079-1	Cinemeccanica V4	400.00
DX-1079-2	Cinemeccanica V5, V8	400.00
DX-1087	Ballantyne-Model VII.....	245.00
DX-1088	Norelco DP-75.....	265.00
DX-1089	Norelco FP-20	265.00
DX-1097	Christie	450.00
DX-1099	Century R2, R5, R6	285.00



DX-1075



Changeover Systems



ECC-35

Picture Changeover Douser Assembly for the Century 35mm projectors. Unit comes complete with douser plate, linkage, mounting hardware and 6ft.of multi-conductor cable interface cable.

The ECC-35-SA model can be easily adapted in the field to fit Christie Projectors.

ECC-35-SA	Changeover Douser Assembly for the Century "SA" Projectors 120 Volt Operation	\$ 395.00
ECC-35-SA-220	Changeover Douser Assembly for the Century "SA" Projectors 220 Volt Operation	415.00
ECC-35-C	Changeover Douser Assembly for the Century "C" Projectors 120 Volt Operation	395.00
ECC-35-C-220	Changeover Douser Assembly for the Century "C" Projectors 220 Volt Operation.....	415.00

ECC-70

Picture Changeover Douser Assembly for the Century "JJ" 35 / 70mm projectors. Unit comes complete with douser plate, linkage, mounting hardware and 6ft.of multi-conductor cable interface cable.

ECC-70	Changeover Douser Assembly for the Century "JJ" Projectors 120 Volt Operation	\$ 485.00
ECC-70-220	Changeover Douser Assembly for the Century "JJ" Projectors 220 Volt Operation.....	505.00

ECS-35

Picture Changeover Douser Assembly for the Simplex XL 35mm and 70mm projectors. Unit comes complete with linkage, mounting hardware and 6ft.of multi-conductor cable interface cable.

ECS-35	Changeover Douser Assembly for the Simplex "XL" Projectors 120 Volt Operation	\$ 420.00
ECS-35-220	Changeover Douser Assembly for the Simplex "XL" Projectors 220 Volt Operation	440.00

ECAAII

Picture Changeover Douser Assembly for the Norelco AA II Projectors. Unit comes complete with linkage, mounting hardware and multi-conductor cable interface cable.

ECSAAII	Changeover Assembly for Norelco AA II	\$ 780.00
---------	---	-----------

Note: All of the above changeovers are equipped with 120VAC coils. 220VAC, 24VAC and 24 VDC coils are available on special order. Please consult Factory for Availability Pricing and Delivery.