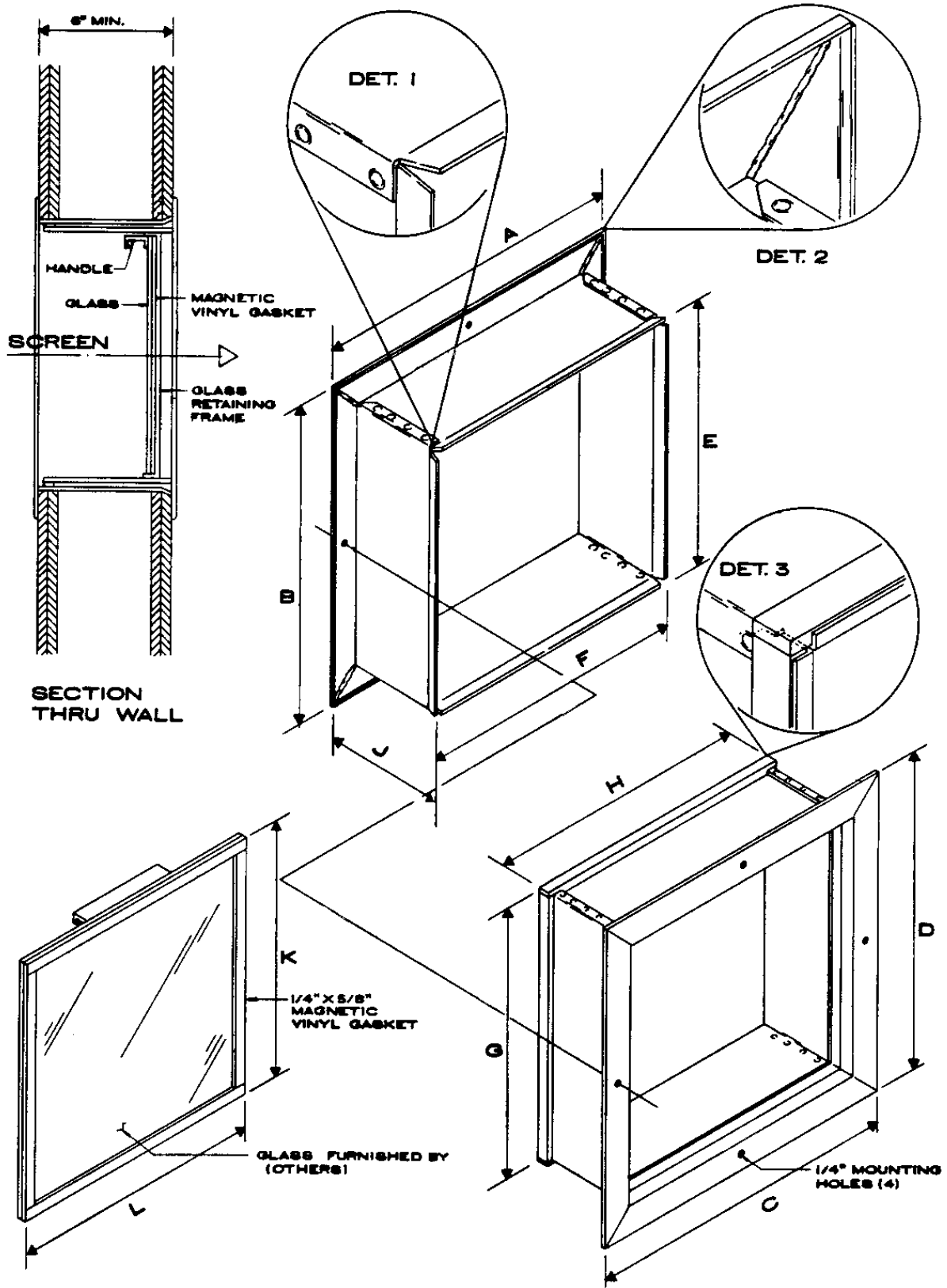


Porthole Dimension Sheet for 16 X 16 Frame





KELMAR

Systems Inc., 284 Broadway, Huntington Station, NY 11746 • 631.421.1230 • FAX 631.421.1274

Porthole Dimension Sheet for 16 X 16 Frame

A: 20"

B: 20"

C: 19-3/8"

D: 19-3/8"

E: 16-7/8"

F: 16-7/8"

G: 16-3/8"

H: 16-3/8"

J: 6"

K: 15-5/8"

L: 15-5/8"

To determine Rough Opening add 1-3/8" to Specified Size ie:

16"w X 16"h = 17-3/8"w X 17-3/8"h Rough Opening

Glass is on a 5 degree tilt.