

## **HU-2 Showcase Dimmer 2.4 Kw/3.6 Kw Instructions**

**Attn: Electrical Contractor! Theatre Technician**

**Please read the following installation and operating instructions before installing the system.**

### **Electrical Installation**

Mounting the unit is straightforward and convenient. Full length pads across the top and bottom of the cabinet will accept up to 1/4" hardware. When mounting the unit on block or other irregular surface walls, avoid springing the enclosure when tightening the mounting hardware. Use 1/4" washers as shims behind the mounting pads to fill heavy gaps. In the upper and lower right—hand side of the case, 3/4" and 1" KO'S have been provided for line, load and control connections.

Access to the electrical connection area is gained by loosening the four 6-32 Phillips head screws securing the dark grey wrap on the right—hand side of the enclosure. The wrap can then be pulled forward and removed.

Line #1 feeds the normal 3—position or house dimmer circuit. Line #2 feeds the emergency by—pass circuit and its associated control board. Terminal #3 is the neutral feed from the buss in the panel. Terminal #4 is the neutral for the branch circuit loads. **All neutrals**, both line and load, **must terminate on lugs #3 and #4.**

The low voltage remote control or automation interface printed circuit board has been clearly silk screened for your convenience. Terminals #1 through #4 interface with the Kelmar remote control. They provide LED positioning readout at that device. Terminals #5, #6, #7 and #9 interface directly with the corresponding terminals on the remote control or automation system. They provide level control for the house lights. Terminal #8 on the printed circuit board provides for a fourth level, which drives the system to full off. This feature is a convenience for those users who wish to be able to turn the lights fully off from a remote location without tripping the breakers. Terminals #10 through #13 provide remote control of the emergency by-pass contactor.

Built-in control logic is 12 volts DC. All remote control devices or automation systems should provide dry reed closure only. Switching logic used for either remote or automation control should have a closure duration of at least 1/4 second.

The second or smaller printed circuit board interface terminal provides low voltage interface for the control of the second lighting zone by either an automation system or a manual station. The second or lower large black terminal strip is for line in, neutral tie point, and branch circuit load Out. **Again, all neutrals must terminate at this device.**

### Setup and Calibration Procedures

The control section of the dimmer should remain closed until the projection room is broom clean. Access to the inside of the control panel is gained by loosening the 6-32 Phillips head screws at the top and bottom of the right-hand side of the panel. Do not remove the screws on the left-hand side of the panel. The panel will swing forward, displaying the two printed circuit boards on which all appropriate controls are mounted.

***CAUTION SHOULD BE EXERCISED AT THIS POINT TO AVOID CONTACT, EITHER THROUGH YOUR HANDS OR TOOLS, TO THE EXPOSED TERMINAL LUGS ON TEE LARGE BLACK CHOKES ON THE REAR OF TEE UNIT WHEN VOLTAGE IS PRESENT.***

The rate and level trimmers for the house light section, R15 through R19, are on a horizontal line in the left-hand side of the control board. R15 is the down rate, R16 is the up rate, R17 is the high level, R18 is the mid level, and R19 is the low level.

#### Suggested house light setup procedures are as follows:

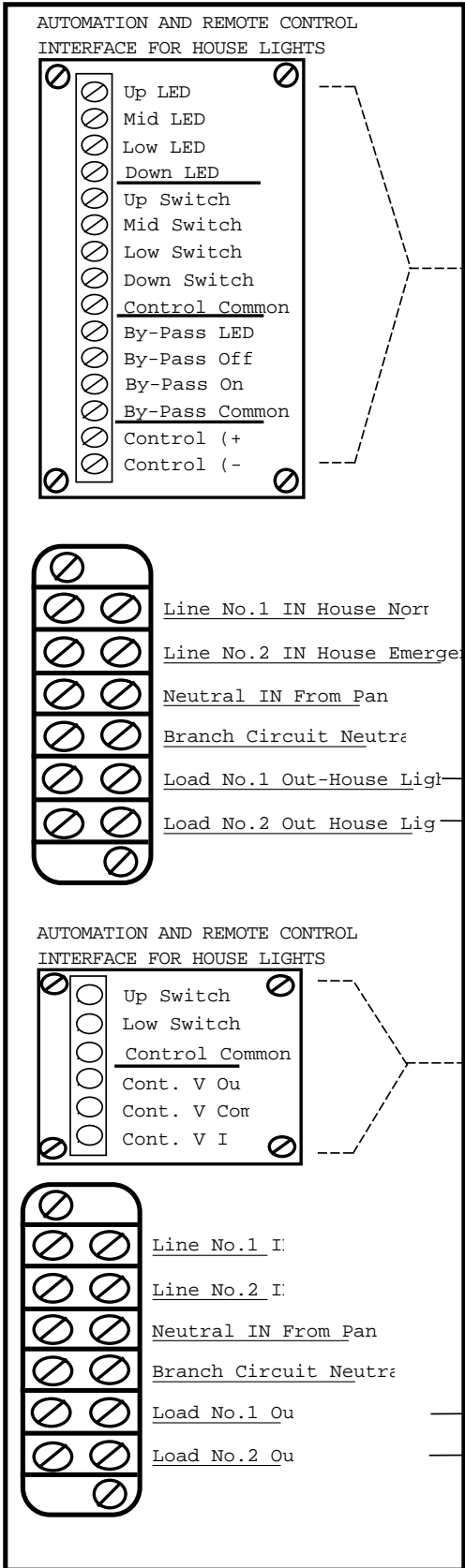
- (1) Turn the rate pots R15 and R16 fully counterclockwise. This will provide the fastest rates and will save you time in setting the levels.
- (2) The house high level is selected by trimming R17, mid level by R18, and low level by R19. When setting R19, turn the low trim knob on the opposite or operating side of the cover to its full counterclockwise position. Then set R19 to establish that level of lighting that will provide suitable illumination during the feature presentation.
- (3) After the levels have been stabilized, your rates may be set by trimming R15 for down and R16 for up.

Turning the trim knob marked "LOW TRIM" clockwise will override the "LOW" house setting and provide increased illumination for audiences requiring supervision. Returning the "LOW TRIM" knob to its fully counterclockwise position resets the level to the value set by R19.

The controls on the smaller stage lighting board are simple and straightforward. R12 is the down rate and R13 is the up rate. As with the house section, turning them both fully counterclockwise will speed up level selection, which is accomplished by rotating the two knobs on the front of the panel marked "HIGH" and "LOW". As a suggestion, for faster response time, set the low knob just at that point where the stage lights are fully out, rather than "0" volts.

Every effort has been made to provide you with a system of the highest quality. If we may be of any further service regarding the installation or the operation of the system, please call us at (516) 692-6131 or (516) 421-1230.

Thank you for purchasing our product.



NOTES

- 1: Refer to instruction manu for details
- 2: From Lighting Panel-Seper Breakers SAME PHASE
- 3: Provide Branch Circuit Protection as required b
- 4: Refer to instruction manu for details
- 5: Board can be interfaced w any number of remotes

See Note 1

See Note 2

See Note 3

See Note 4

See Note 2

See Note 3

