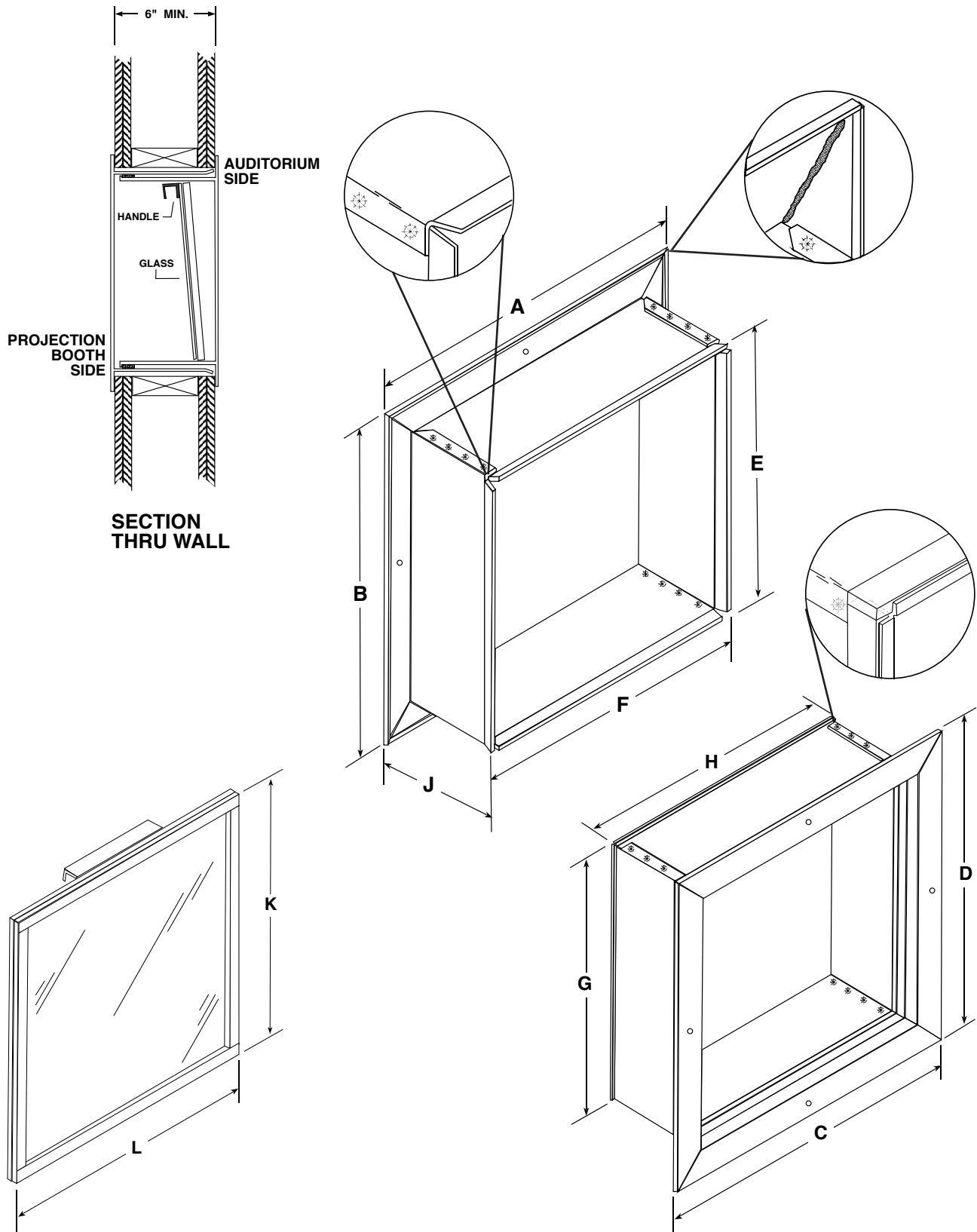




KELMAR

Systems Inc., 284 Broadway, Huntington Station, NY 11746 • 631.421.1230 • FAX 631.421.1274

Porthole Dimension Sheet for 34 x 24 Frame





KELMAR

Systems Inc., 284 Broadway, Huntington Station, NY 11746 • 631.421.1230 • FAX 631.421.1274

Porthole Dimension Sheet for 34 x 24 Frame

A: 38"

B: 28"

C: 37-3/8"

D: 27-3/8"

E: 24-7/8"

F: 34-7/8"

G: 34-3/8"

H: 24-3/8"

J: 6"

K: 23-5/8"

L: 33-5/8"

To determine Rough Opening add 1-3/8" to Specified Size ie:

34"w X 24"h = 35-3/8"w X 25-3/8"h Rough Opening

Clear Opening for Projected Light Path is 32-5/8"w X 22-5/8"h