

## DCIMP-1 Video Projector Mount Instructions

**Before proceeding please read all of the instructions**  
***Proper installation is the sole responsibility of the installer***

Tools required for installation:

2 Foot Level  
Tape Measure  
Electric Drill with proper bits for fasteners chosen  
Hammer Drill if mounting to concrete with proper bits for fasteners chosen  
Screwdrivers and Socket Wrenches  
Stud Finder for sheet rock walls

Tools required for assembly:

9/16" Open End Box Wrench  
9/16" Socket Wrench  
5/32" Allen Wrench (supplied)  
Electric Drill with 7/16" Socket and Adapter

What is supplied in this kit:

- (2) 4' Long Slotted Wall Mounting Rail
- (4) Spring Loaded Strut Nuts for above
- (1) Projector Mounting Platform
- (2) 38-1/2" Square Support Tubes
- (4) Mounting Angle Support Brackets
- (4) Projector Hold Down Brackets
  
- (6) 3/8-16 x 5/8" Anti-vibration Bolts
- (4) 3/8-16 x 2-1/4" Anti-vibration Bolts
- (4) 3/8-16 Anti-vibration Nylock Nuts
- (4) 3/8 Star Lock Washers
- (4) 3/8 Flat Washers
- (4) 1/4-20 x 5/8" Allen Button Head Screws
- (4) 1/4-14 x 3/4" Self-drilling and Tapping Hex Head Screw
  
- (1) 5/32 Allen Wrench

### Before you start:

Determine the mounting configuration and location you choose to use.  
See pages 5-7 for some basic ideas.

If mounting the support rails in a vertical configuration make sure that they can be mounted on a 32" center without interference on the wall. See page 5.

If mounted horizontally set the lower one first in its desired location. See below for mounting hardware. See pages 6-7.

### Determine the type of wall you are mounting on:

You will need to use the 2 foot level to make sure the rails are mounted perfectly plumb for vertical installations, and perfectly level for horizontal installations.

If the wall is concrete, mount each of the slotted mounting rails using at least (3) 3/8" x 1-1/2" long lag bolts with flat washers and lead shields. See page 5 for suggested location of mounting hardware.

If the wall is sheetrock, determine how many layers of sheetrock and the overall thickness.  
(i.e. 2 layers of 5/8" sheetrock = 1-1/4" overall)

Locate the studs in the wall around the projection port. The main mount with its mounting angles attached is designed for mounting at 32" centers. If the studs are metal you will use at least (3) 3/8" x 5" steel toggle bolts and 3/8" flat washers on each mounting rail. See page 5 for suggested location of mounting hardware.

If mounting horizontally use (4) 3/8" x 5" steel toggle bolts and 3/8" flat washers. See page 6 for suggested location of mounting hardware.

***It is important to mount the mounting rails directly to the studs for maximum support.***

If the studs are wood use 3/8" x 2" long lag bolts and 3/8" flat washers.

Mount the mounting rails and proceed to assembly.

You will need to use the 2 foot level to make sure the rails are mounted perfectly plumb for vertical installations, and perfectly level for horizontal installations.

### Assembly:

- 1) Insert the first set of strut nuts into the mounting rail as shown in figure 1 on page 4 at the chosen mounting height for the main mounting plate. Now attach the first 2 right angle mounting brackets to the mounting rail as shown on page 4, figure 2. Just snug these bolts down at this time.
- 2) Attach the main mounting platform to the brackets that were installed in step 1 as shown on Page 4, figure 3. Check the level of the main mount at this time and make any adjustments to set the main mounting platform level from left to right. After this is done tighten down the bolts to hold the right angle brackets to the mounting rail only. Do not tighten the bolts that connect the main bracket to the angle brackets.
- 3) Insert the second set of strut nuts into the mounting rail as shown in figure 6 on page 4 about 28" above the first set. Now attach the second set 2 right angle mounting brackets to the mounting rail as shown in page 4, figure 6.
- 4) Attach the 2 square support tubes as shown in figures 5 & 6. Now set the desired angle required for your particular application, and tighten all bolts to secure the mount in its final position.
- 5) Double check all the fasteners to make sure all are secure.

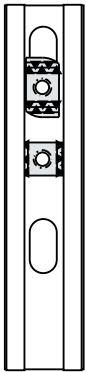
*At this time you may install the optional equipment rack.*

### Mounting the Projector:

- 1) Place the projector on the main platform. Then align and set the projector up as per manufacturer's instructions.
- 2) Now that the projector has been properly aligned and set up in its final operating position, you will need to secure the projector in place using the (4) supplied hold down brackets.
- 3) Simply slide the bracket over the projectors leveling feet. See page 8 and secure them with either the (4) 1/4-20 x 3/8 allen screws using the tapped holes in the main platform. See page 8 for their locations. Check to see if they will align for your particular situation. If not, then use the (4) supplied 1/4-14 self drilling/ tapping hex screws can be used to make any situation work.

**Figure 1**

To Insert Strut Nut

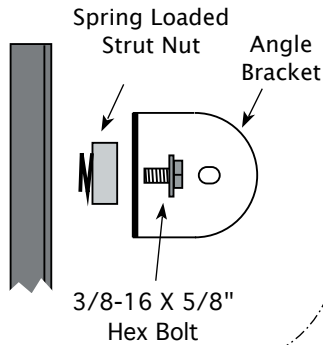


1st Insert into Channel as shown.

2nd Press Strut Nut into channel and rotate Clockwise 90 Deg. to set it into the channels shown

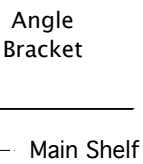
**Figure 2&4**

Slotted Mounting Rail

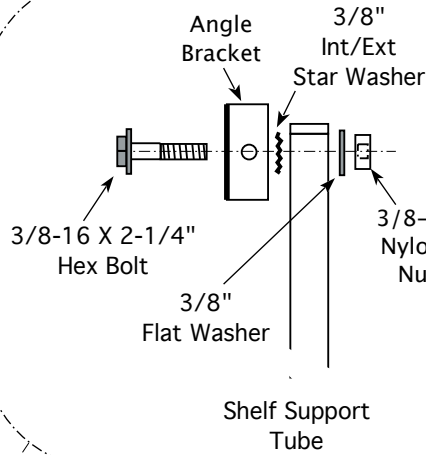


**Figure 3**

3/8-16 X 5/8" Hex Bolt

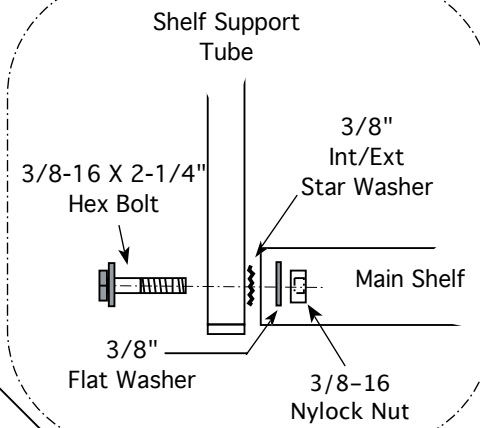


**Figure 6**

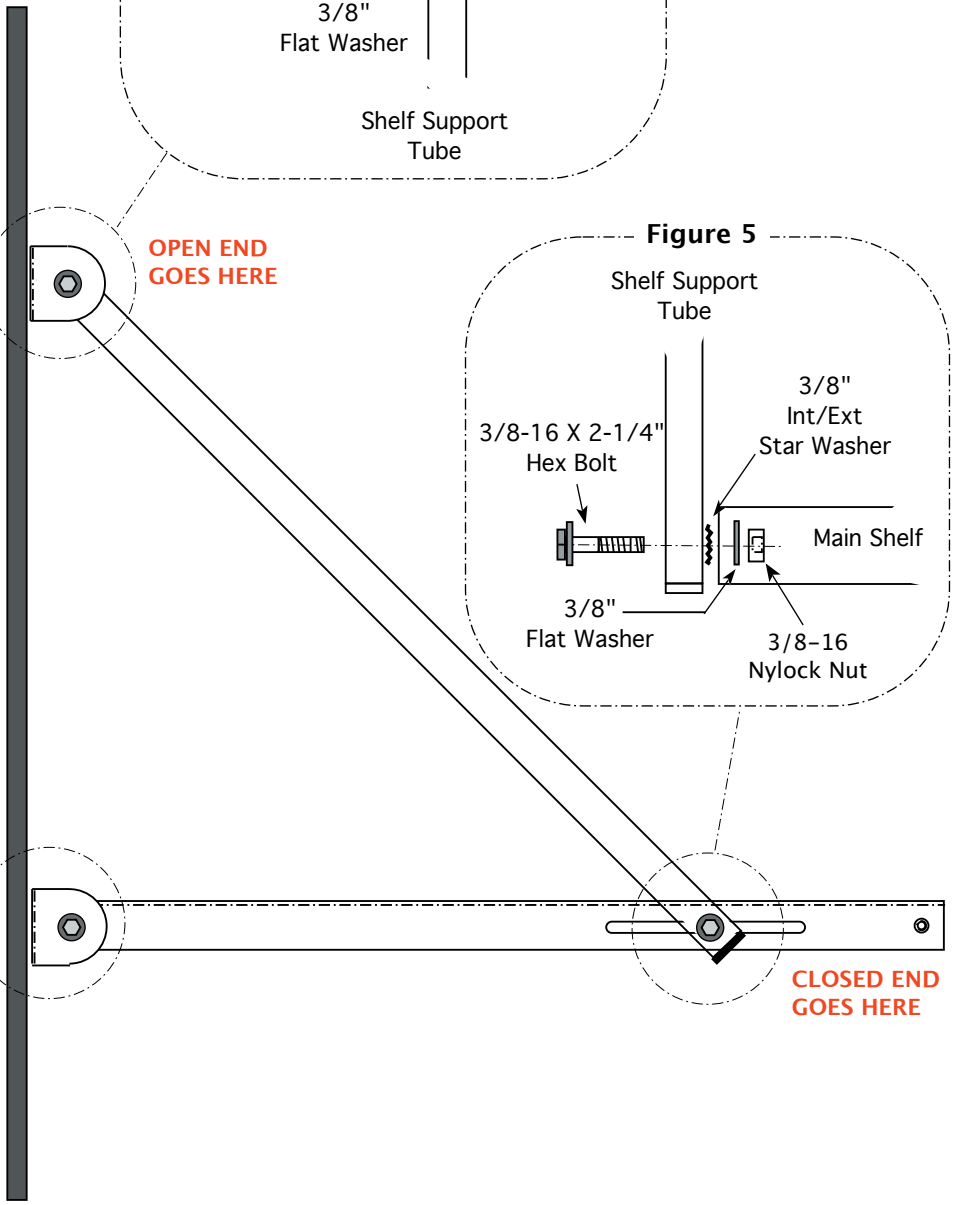


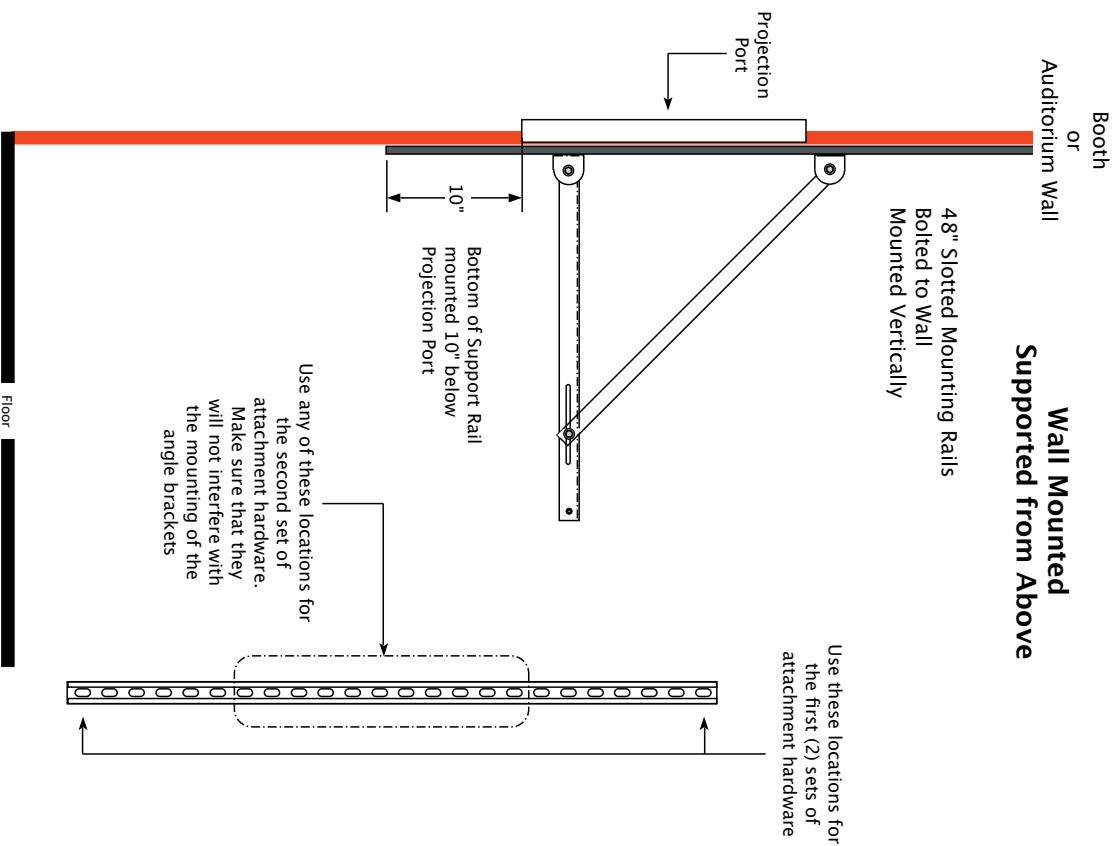
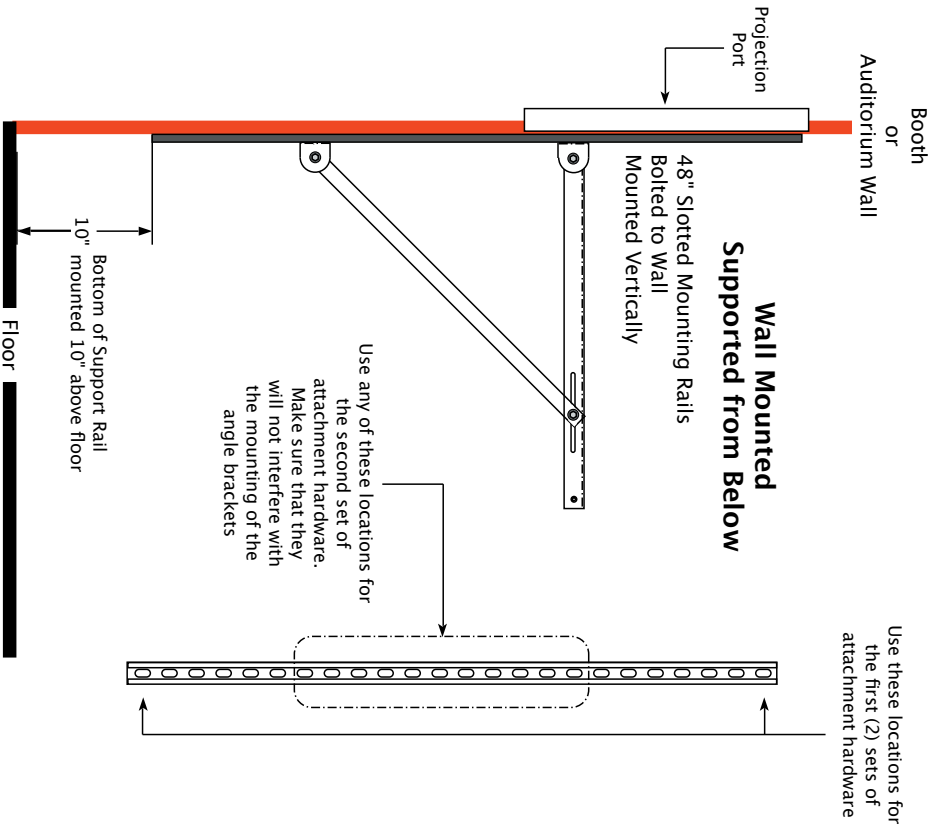
**OPEN END GOES HERE**

**Figure 5**



**CLOSED END GOES HERE**





### Wall Mounted Supported from Below Side View

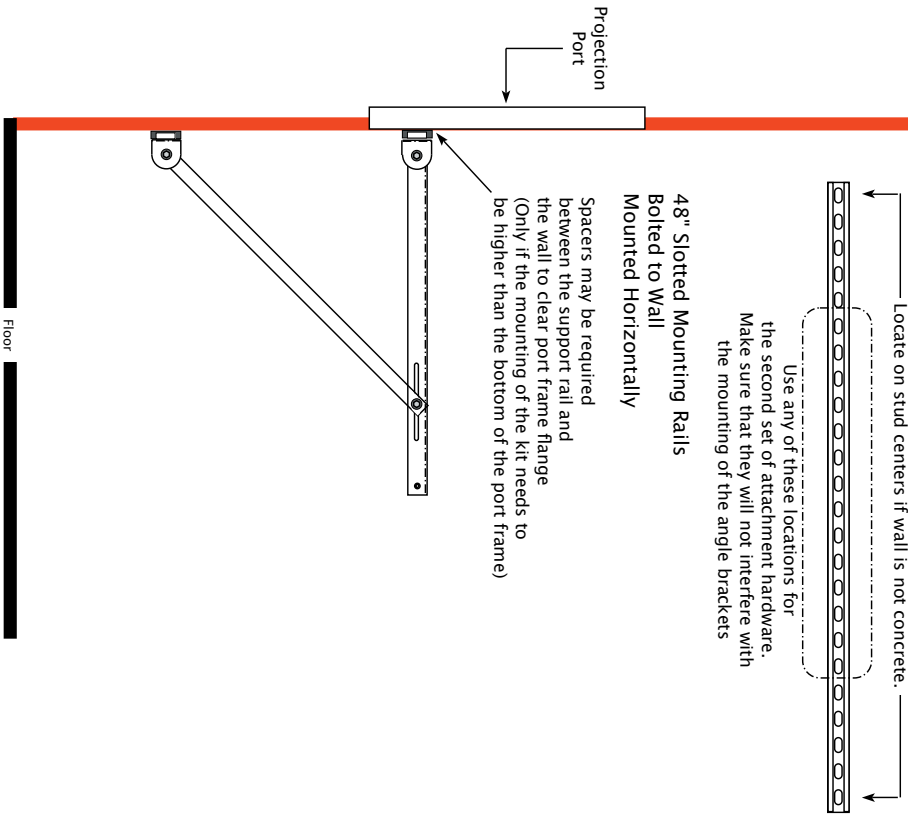
Use these locations for the first (2) sets of attachment hardware.

Locate on stud centers if wall is not concrete.

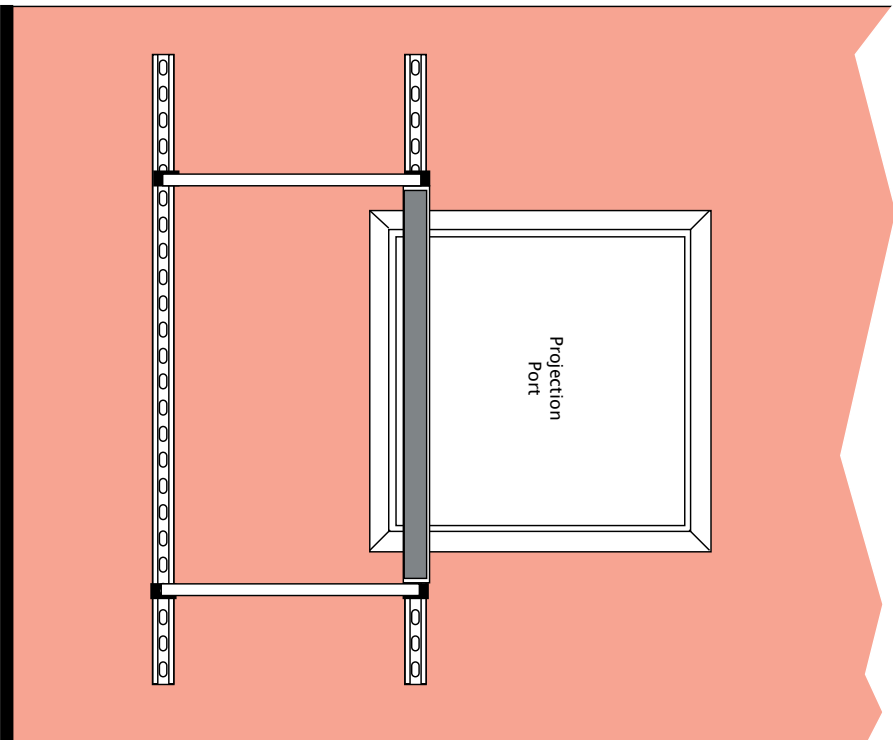
Use any of these locations for the second set of attachment hardware. Make sure that they will not interfere with the mounting of the angle brackets.

48" Slotted Mounting Rails Bolted to Wall Mounted Horizontally

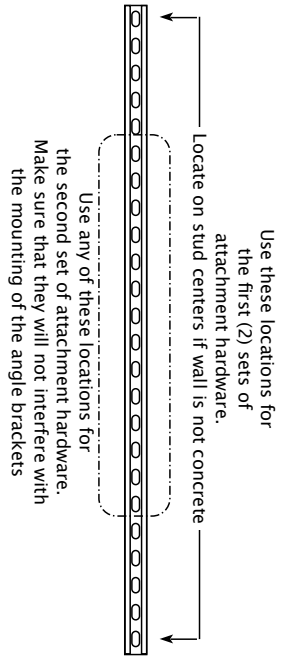
Spacers may be required between the support rail and the wall to clear port frame flange (Only if the mounting of the kit needs to be higher than the bottom of the port frame)



### Wall Mounted Supported from Below Rear View



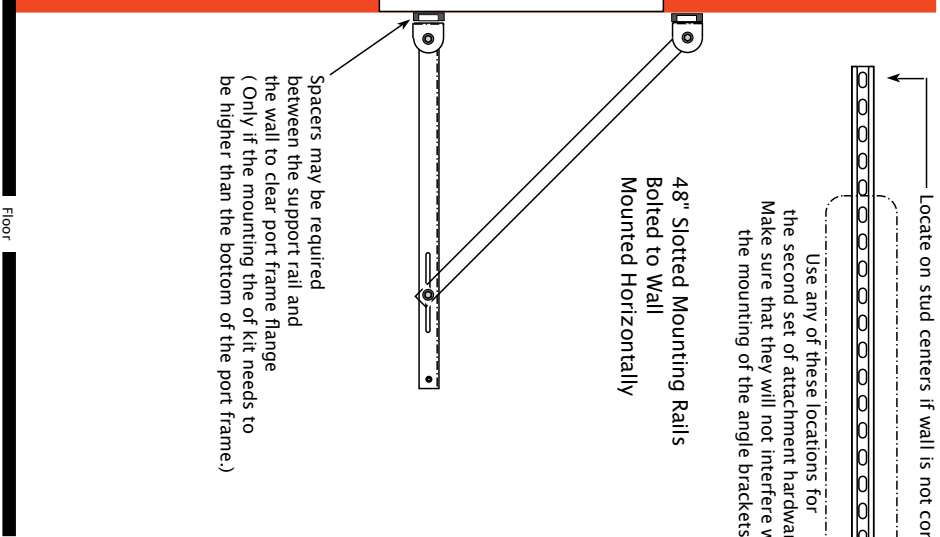
### Wall Mounted Supported from Above Side View



48" Slotted Mounting Rails  
Bolted to Wall  
Mounted Horizontally

Projection Port

Spacers may be required between the support rail and the wall to clear port frame flange (Only if the mounting the of kit needs to be higher than the bottom of the port frame.)



### Wall Mounted Supported from Above Rear View

