

SST1-C Console Mount Show Start Timer Instructions

General

The Kelmar SST1-C Show Start Timer Panel is a Digital Minute Clock Timer used to start the Theatre Automation System after a preset time period.

The projectionist will set up the projector and turn all systems ON and set the timer delay time before the Show is to start and pushes the ON Switch on the SST1-C Panel to activate the Show Start Timer. Which will then time down to "0" and start the Show.

This unit was designed to work with All Automations.

The Panel is 19" Wide x 3 1/2" High and requires 120 Volts A.C. to operate.

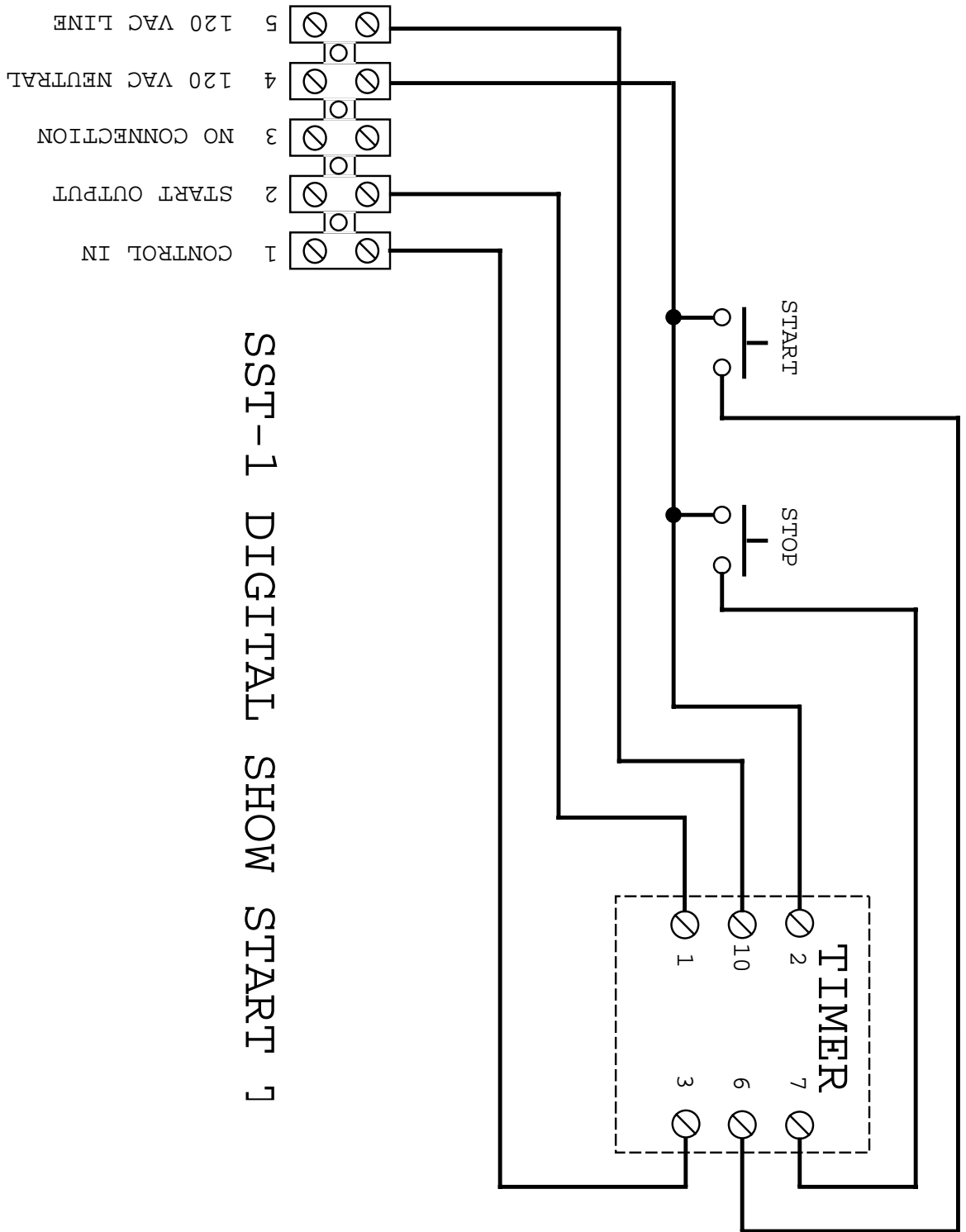
Operation

Turn on power, The Timer has 6 control push-buttons used for operation. As shipped the Timer has been set to the "d"Int function, minutes and seconds. There are 2 lines of display; the TOP display indicates the countdown to Show Start the Bottom display indicates the Pre-selected delay setting. To set the Delay use buttons 4 3 2 1. Press until the desired setting is reached. For example: 12 minutes would be 12:00. Activate the count down cycle by pressing the Start Push-button. The Timer will start to count down. As it reaches 0 the Automation will start. To STOP the countdown during cycle Press the Stop Push-button. The timer has a built in memory and will wake-up in the proper mode at the previous setting.

Termination Schedule

SST1-C

Terminal #	Function
1	Host Automation Control Common
2	Host Automation Remote Start Terminal
3	No Connection
4	120 VAC Neutral
5	120 VAC Power



SST-1 DIGITAL SHOW START 7