

P1

- 1 ○
- 2 ○
- 3 ○
- 4 ○
- 5 ○
- 6 ○
- 7 ○
- 8 ○
- 9 ○
- 10 ○
- 11 ○
- 12 ○
- 13 ○
- 14 ○
- 15 ○
- 16 ○
- 17 ○
- 18 ○
- 19 ○
- 20 ○
- 21 ○
- 22 ○

P2

- 1 ○
- 2 ○
- 3 ○
- 4 ○
- 5 ○
- 6 ○
- 7 ○
- 8 ○
- 9 ○
- 10 ○
- 11 ○
- 12 ○
- 13 ○
- 14 ○
- 15 ○
- 16 ○
- 17 ○
- 18 ○

GROUND

12 VAC

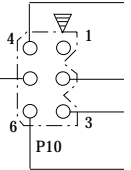
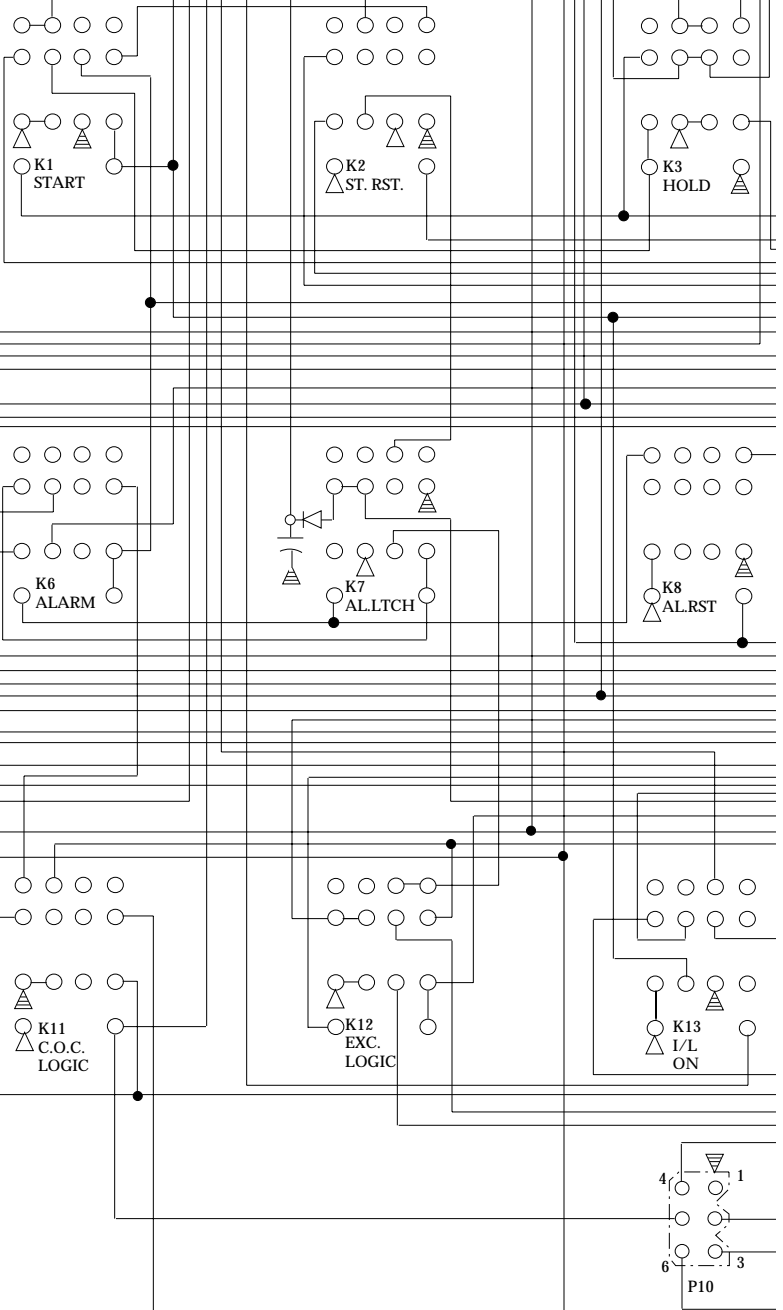
- 4 ○   3 ○   2 ○   1 ○   N.C.
- 8 ○   7 ○   6 ○   5 ○   N.O.
- 12 ○   11 ○   10 ○   9 ○   COM
- COIL   ○
- 14   13

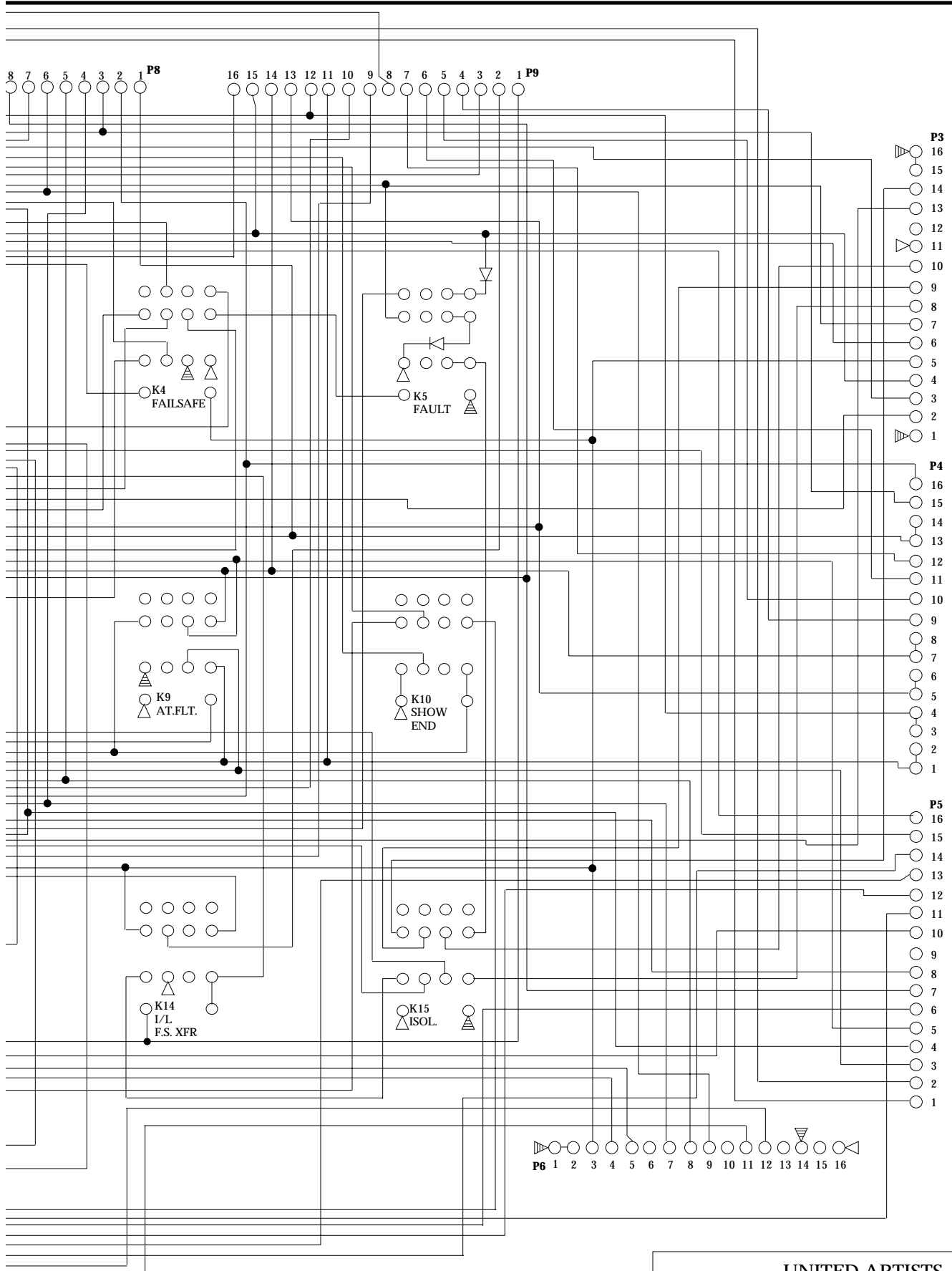
**RELAY KEY**

- 16 ○
- 15 ○
- 14 ○
- 13 ○
- 12 ○
- 11 ○
- 10 ○
- 9 ○
- 8 ○
- 7 ○
- 6 ○
- 5 ○
- 4 ○
- 3 ○
- 2 ○
- 1 ○

P7

- 16 ○
- 15 ○
- 14 ○
- 13 ○
- 12 ○
- 11 ○
- 10 ○
- 9 ○

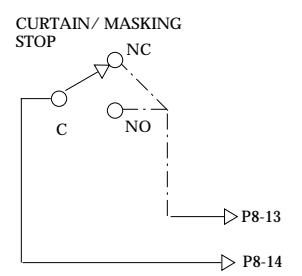
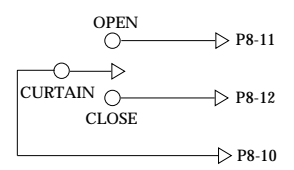
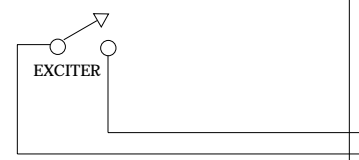
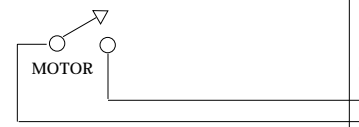
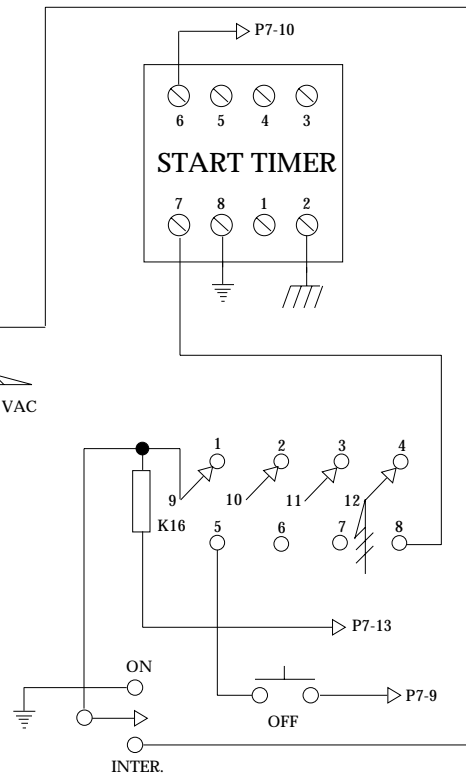
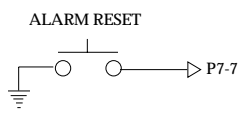
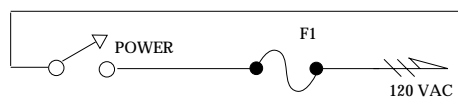
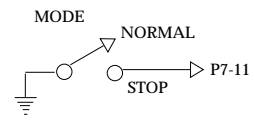
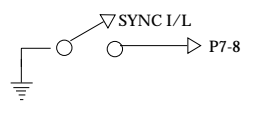
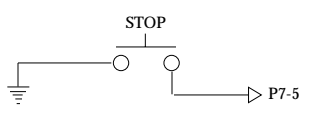
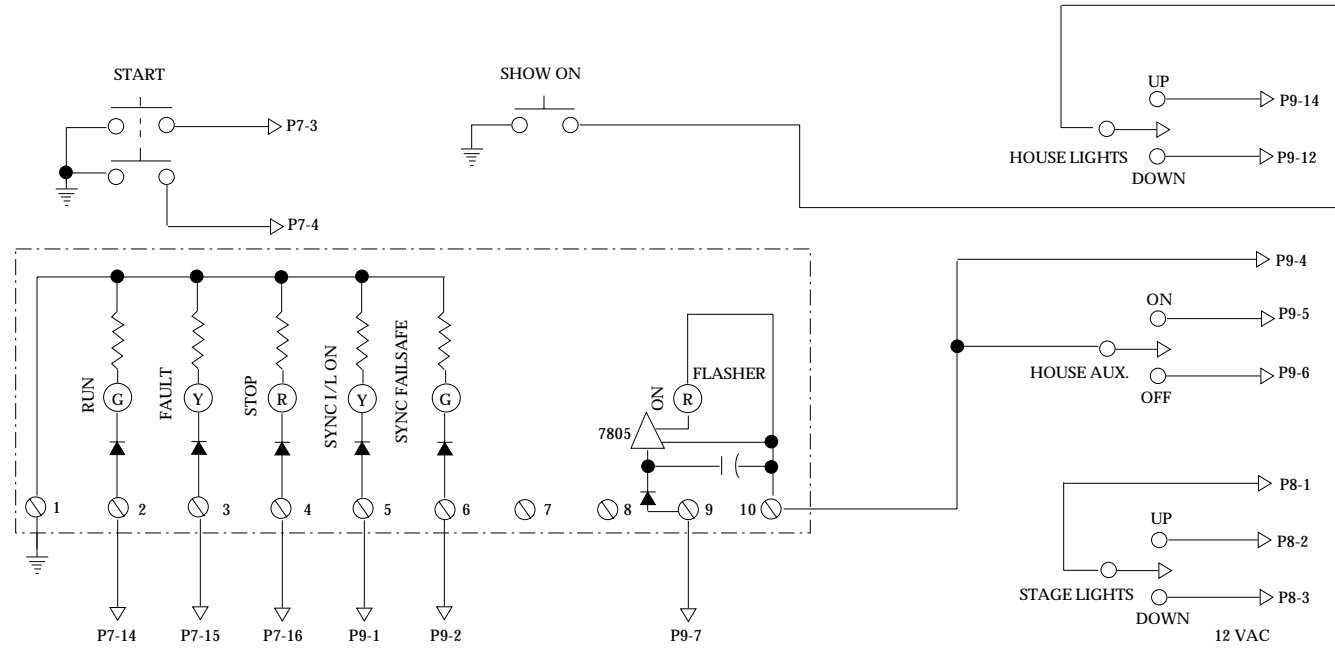




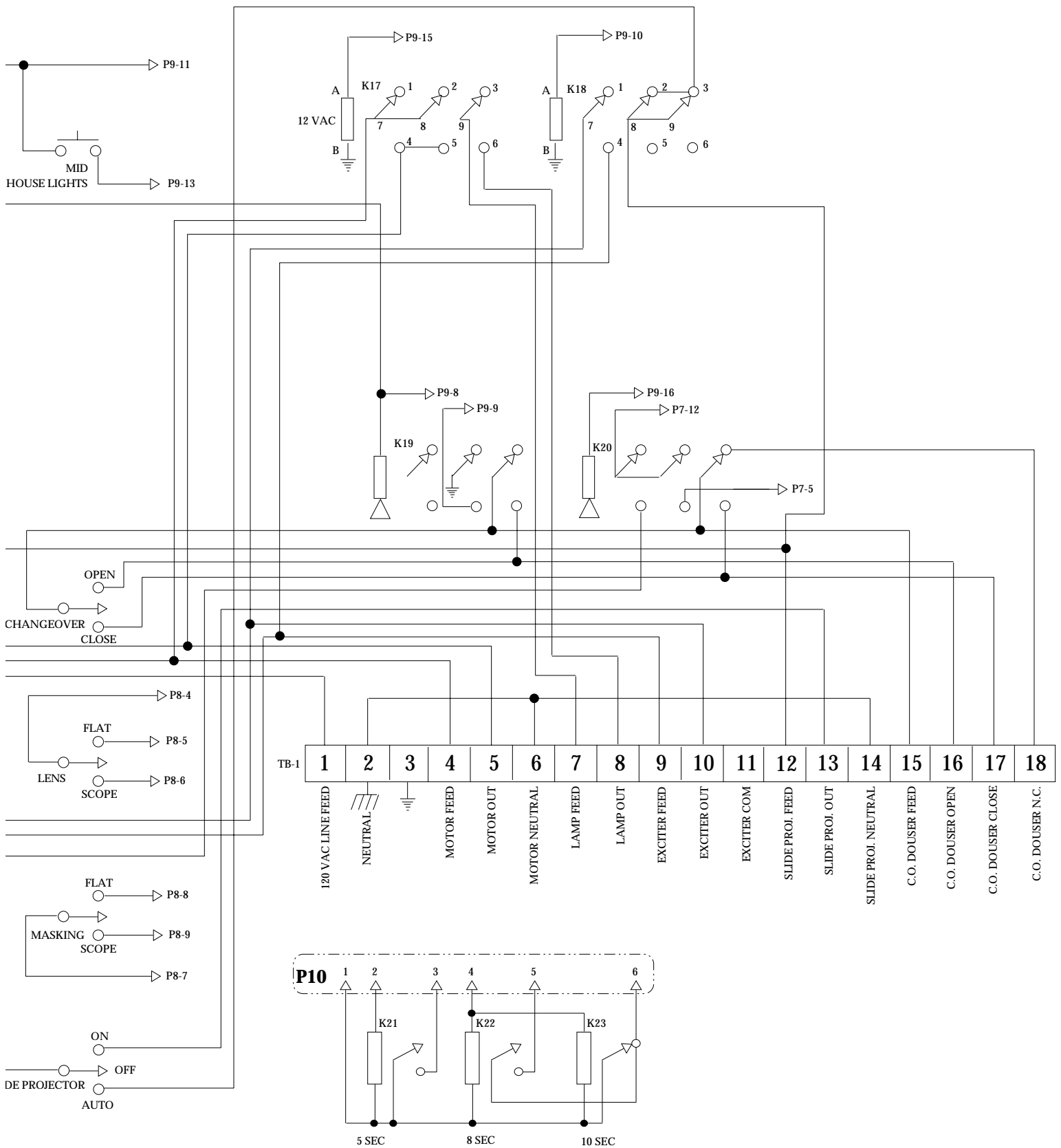
**UNITED ARTISTS  
 LASER SCANNER AUTOMATION  
 MAIN LOGIC BOARD P/N 7917  
 AS MANUFACTURED BY  
 KELMAR SYSTEMS INC.**

DATE: 5-9-94

DRAWN BY:  
GWE / TAM



SLI



UNITED ARTISTS  
 LASER SCANNER AUTOMATION  
 CHASSIS SCHEMATIC  
 AS MANUFACTURED BY  
 KELMAR SYSTEMS INC.

DATE: 5-13-94

DRAWN BY:  
 GWE / TAM