



UDH-2-3503/2H 2-3 Digital Cue Detector Instructions

7940 Cue Decoder Interface Board

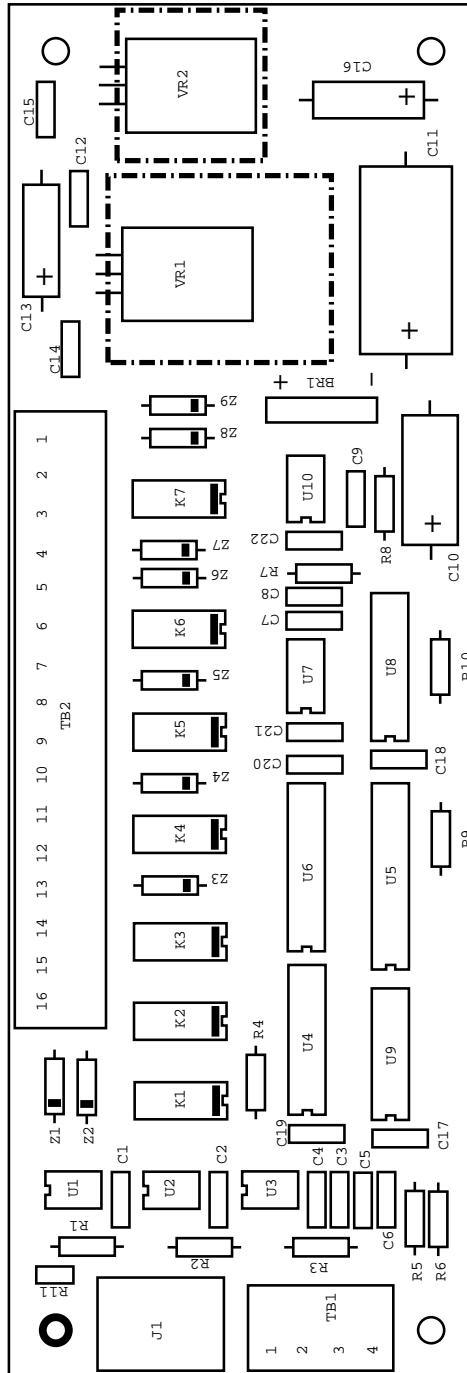
TB-2 Cue Outputs and Operating Voltage Input

- | | | |
|----|---------------------|----------|
| 1 | 12-24 VAC / VDC + | |
| 2 | 12-24 VAC / VDC - | |
| 3 | CUE #7 Relay Input | NOT USED |
| 4 | CUE #7 Relay Output | |
| 5 | CUE #6 Relay Input | NOT USED |
| 6 | CUE #6 Relay Output | |
| 7 | CUE #5 Relay Input | |
| 8 | CUE #5 Relay Output | |
| 9 | CUE #4 Relay Input | |
| 10 | CUE #4 Relay Output | |
| 11 | CUE #3 Relay Input | NOT USED |
| 12 | CUE #3 Relay Output | |
| 13 | CUE #2 Relay Input | NOT USED |
| 14 | CUE #2 Relay Output | |
| 15 | CUE #1 Relay Input | |
| 16 | CUE #1 Relay Output | |

INSTALLATION NOTES:

1: When using a feed of 24 VDC. THE INCOMING VOLTAGE MUST NOT EXCEED 24 VDC !!!

2: Relay and Failsafe connections are for Low Voltage Only, DO NOT CONNECT LINE LEVEL LOADS TO THESE OUTPUTS!!!



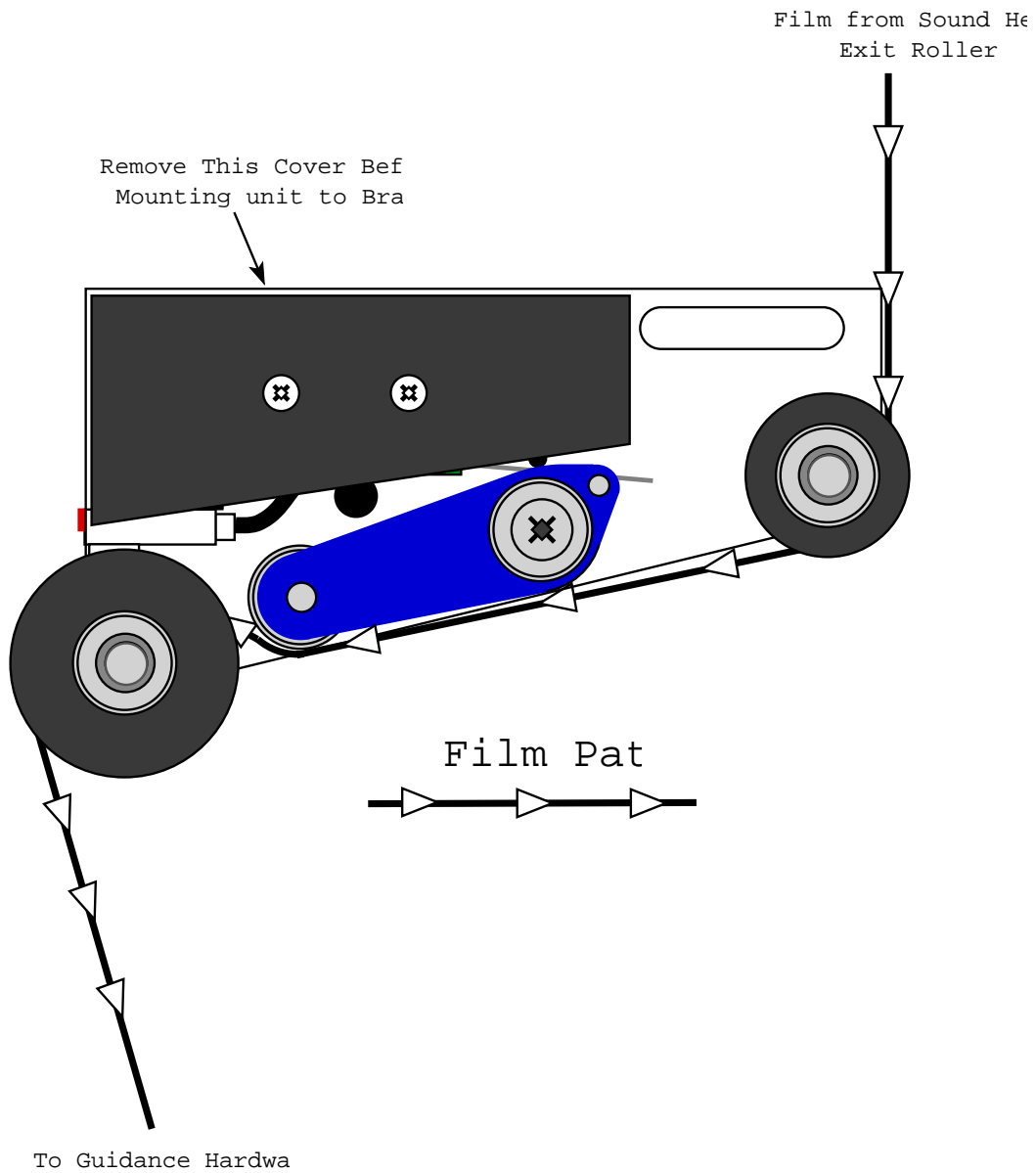
**J-1
Cue Detector
Failsafe
Interface**

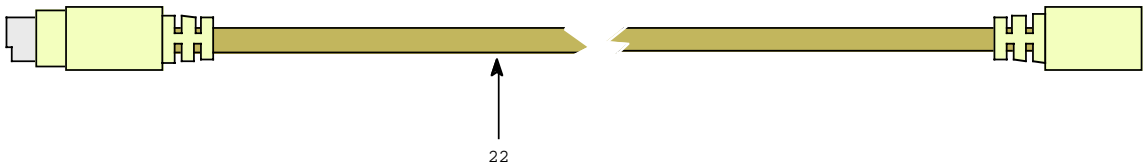
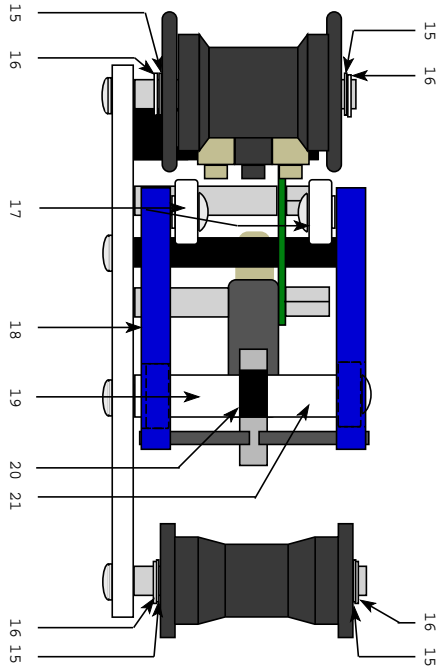
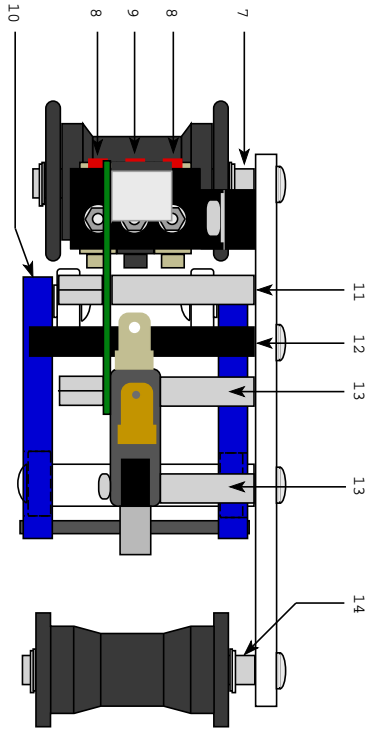
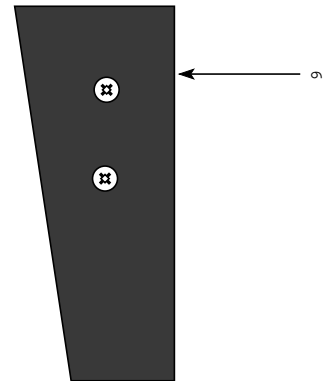
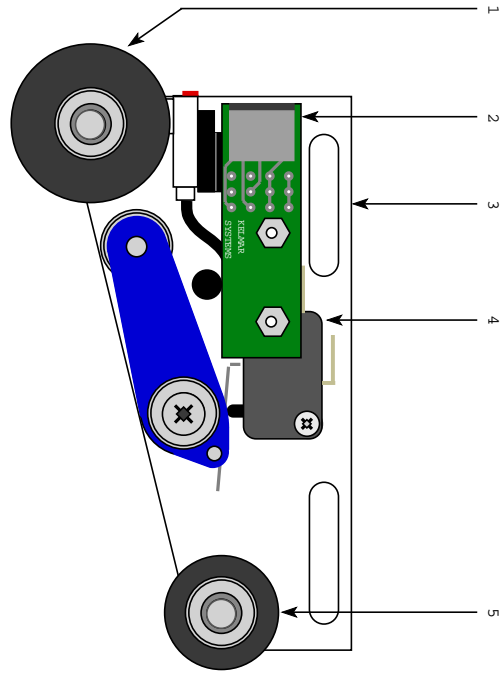
**TB-1
Host Automation
Failsafe Circuit
Interface**

- 1 Failsafe Common
- 2 Failsafe N.O. Output
- 3 Failsafe N.C. Output
- 4 NO CONNECTION

CUE PLACEMENT TRUTH TABLE

CUE #	OUTBOARD PROX.#3	INBOARD PROX.#1	FUNCTION
1		XX	Inboard Cue Functions
2	XX		Outboard Cue Functions
3	XX	XX	Cross Cue Functions





Ref.#	Part#	Description
1	720336	Exit Roller (w/Bearings)
2	7933	Interface Board w/Connector
3		Main Chassis Plate
4	SWCD	Failsafe Micro Switch (V3I-2102-D8)
5	UDH-2-2345	Entrance Roller (w/Bearings)
6	DT9661	Cover
7	UDH-1-119	Exit Roller Shaft
8	SWIPS8F	Cue Sensor
9	SWIPS8FI	Cue Sensor
10	UDH-1-102-2	Failsafe Arm c/w Bearings & Stop Pin (Outboard)
11	ST4RA1.25	Standoff 4-40 x 1.25"
12	UDH-1-109	Failsafe Upper Limit Stop
13	UDH-1-108	Standoff Failsafe Switch
14	UDH-1-119	Entrance Roller Shaft
15	WAPS	Shim Washer
16	SR-25	Retaining Ring 1/4"
17	BR4ZZ	Failsafe Arm Bearing
18	UDH-1-102-1	Failsafe Arm c/w Bearings & Stop Pin (Inboard)
19	UDH-1-106-2	Failsafe Arm Spacer
20	UDH-1-111	Failsafe Arm Lower Limit Stop
21	UDH-1-106-2	Failsafe Arm Spacer
22	CA8DINCC	Interface Cable Assembly (10 ' Long M to M 8 Pin DIN)