



UDH-2-3507/3H 3-7 Digital Cue Detector Instructions

7940 Cue Decoder Interface Board

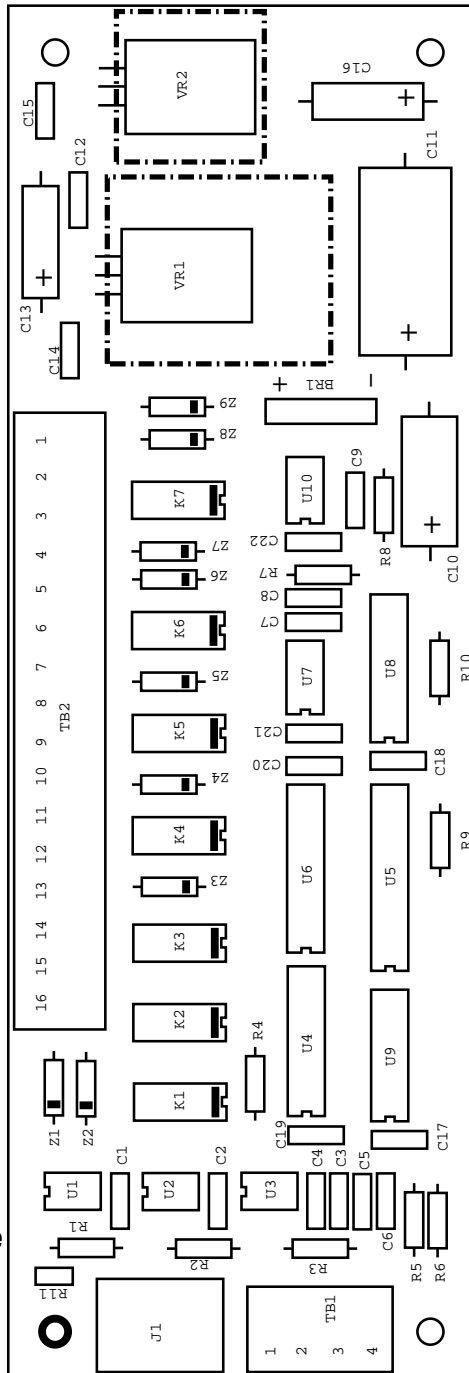
TB-2 Cue Outputs and Operating Voltage Input

- 1 12-24 VAC / VDC +
- 2 12-24 VAC / VDC -
- 3 CUE #7 Relay Input
- 4 CUE #7 Relay Output
- 5 CUE #6 Relay Input
- 6 CUE #6 Relay Output
- 7 CUE #5 Relay Input
- 8 CUE #5 Relay Output
- 9 CUE #4 Relay Input
- 10 CUE #4 Relay Output
- 11 CUE #3 Relay Input
- 12 CUE #3 Relay Output
- 13 CUE #2 Relay Input
- 14 CUE #2 Relay Output
- 15 CUE #1 Relay Input
- 16 CUE #1 Relay Output

INSTALLATION NOTES:

1: When using a feed of 24 VDC. THE INCOMING VOLTAGE MUST NOT EXCEED 24 VDC !!!

2: Relay and Failsafe connections are for Low Voltage Only, DO NOT CONNECT LINE LEVEL LOADS TO THESE OUTPUTS!!!



**J-1
Cue Detector
Failsafe
Interface**

**TB-1
Host Automation
Failsafe Circuit
Interface**

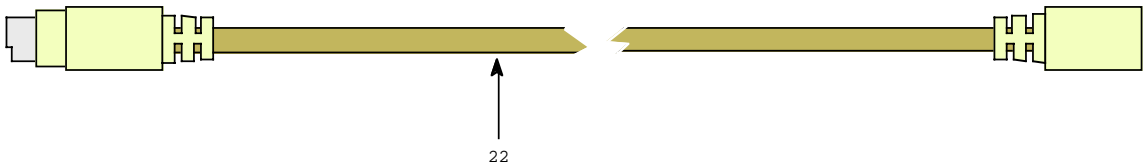
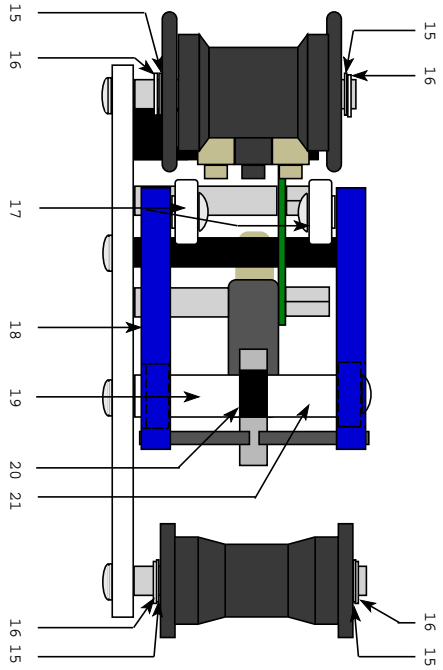
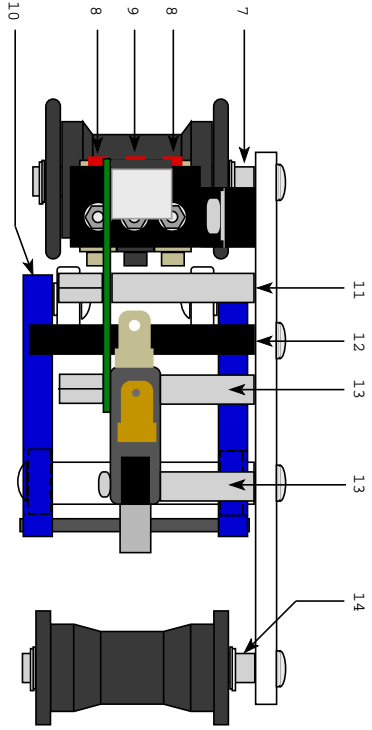
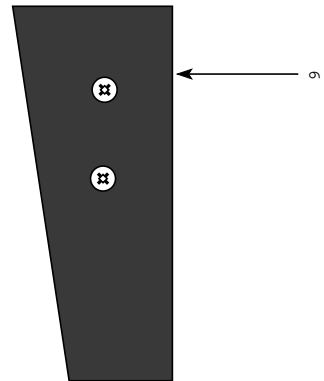
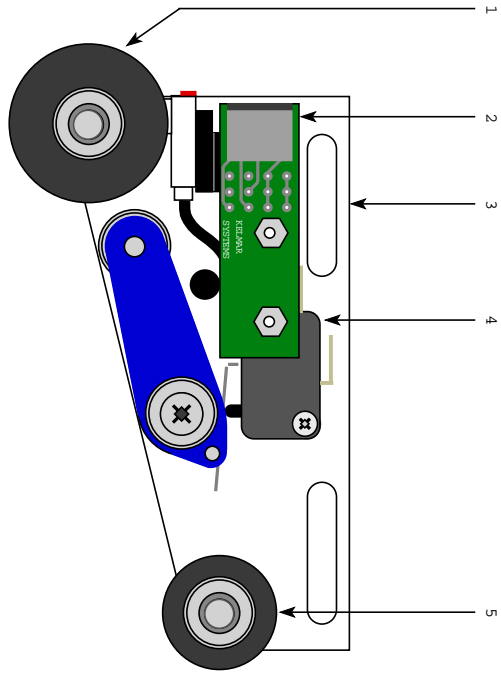
- 1 Failsafe Common
- 2 Failsafe N.O. Output
- 3 Failsafe N.C. Output
- 4 NO CONNECTION

CUE PLACEMENT TRUTH TABLE

CUE #	OUTBOARD PROX.#3	MIDDLE PROX.#2	INBOARD PROX.#1	FUNCTION
1			XX	Single Function Cue #1
2		XX		Single Function Cue #2
3		XX	XX	Single Function Cue #3
4	XX			Single Function Cue #4
5	XX		XX	Single Function Cue #5
6	XX	XX		Single Function Cue #6
7	XX	XX	XX	Single Function Cue #7

BELOW IS JUST A EXAMPLE OF A CUE SCHEDULE FOR A THEATER WITH A 3 CUE AUTOMATION SYSTEM.

CUE #	OUTBOARD PROX.#3	MIDDLE PROX.#2	INBOARD PROX.#1	FUNCTION
1			XX	Inboard Cue Functions
2		XX		User Assignable
3		XX	XX	User Assignable
4	XX			Outboard Cue Functions
5	XX		XX	User Assignable
6	XX	XX		User Assignable
7	XX	XX	XX	Cross Cue Functions



Ref.#	Part#	Description
1	720336	Exit Roller (w/Bearings)
2	7933	Interface Board w/Connector
3		Main Chassis Plate
4	SWCD	Failsafe Micro Switch (V3I-2102-D8)
5	UDH-2-2345	Entrance Roller (w/Bearings)
6	DT9661	Cover
7	UDH-1-119	Exit Roller Shaft
8	SWIPS8F	Cue Sensor
9	SWIPS8FI	Cue Sensor
10	UDH-1-102-2	Failsafe Arm c/w Bearings & Stop Pin (Outboard)
11	ST4RA1.25	Standoff 4-40 x 1.25"
12	UDH-1-109	Failsafe Upper Limit Stop
13	UDH-1-108	Standoff Failsafe Switch
14	UDH-1-119	Entrance Roller Shaft
15	WAPS	Shim Washer
16	SR-25	Retaining Ring 1/4"
17	BR4ZZ	Failsafe Arm Bearing
18	UDH-1-102-1	Failsafe Arm c/w Bearings & Stop Pin (Inboard)
19	UDH-1-106-2	Failsafe Arm Spacer
20	UDH-1-111	Failsafe Arm Lower Limit Stop
21	UDH-1-106-2	Failsafe Arm Spacer
22	CA8DINCC	Interface Cable Assembly (10 ' Long M to M 8 Pin DIN)

