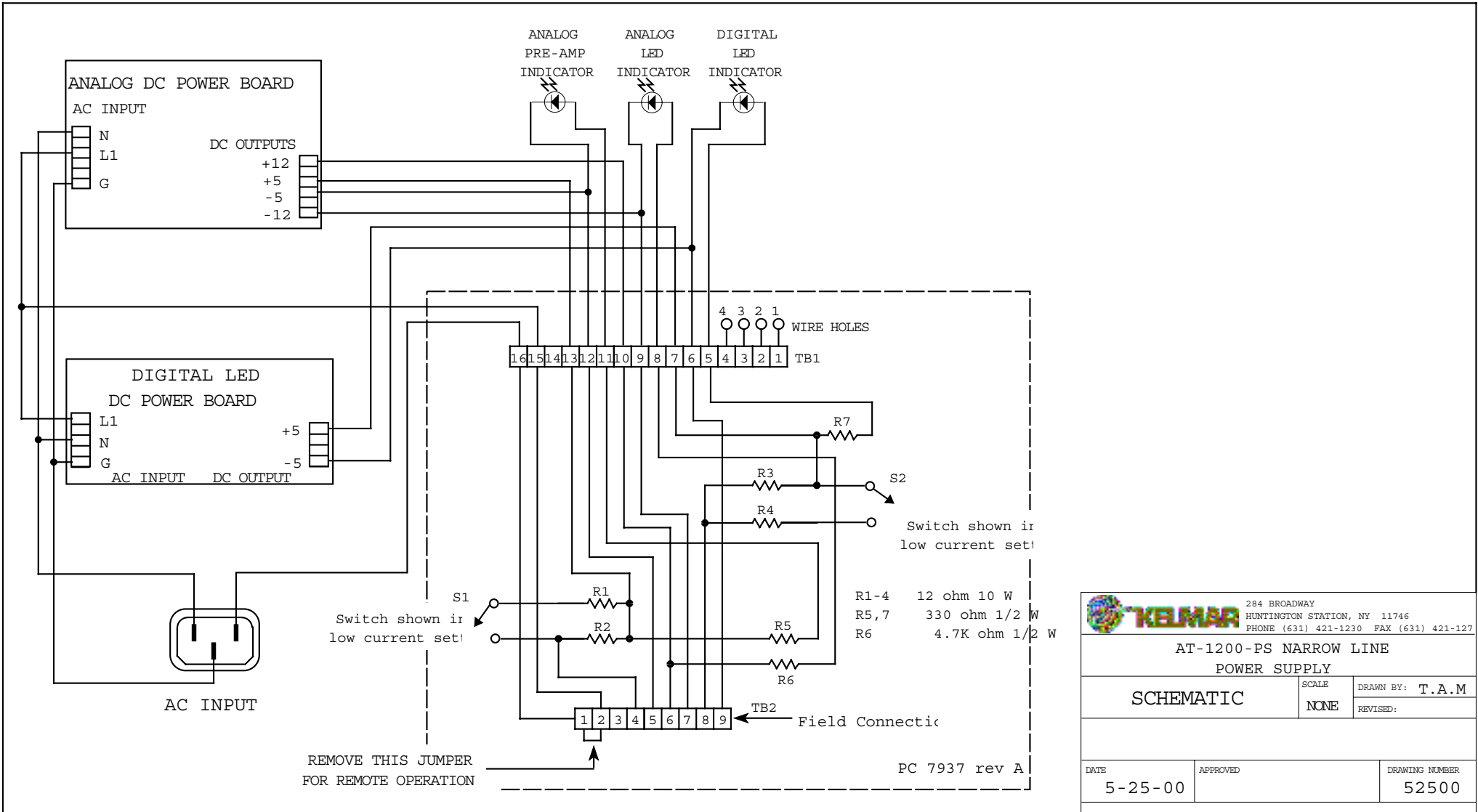



AT-1200-PS Schematic



		284 BROADWAY HUNTINGTON STATION, NY 11746 PHONE (631) 421-1230 FAX (631) 421-1274	
		AT-1200-PS NARROW LINE POWER SUPPLY	
SCHEMATIC		SCALE NONE	DRAWN BY: T.A.M REVISED:
DATE 5-25-00	APPROVED	DRAWING NUMBER 52500	