



**KELMAR**

Systems Inc., 284 Broadway, Huntington Station, NY 11746 • 631.421.1230 • FAX 631.421.1274

**ATD-1274 Dolby® Digital/Analog Basement Reader for Century Soundhead**

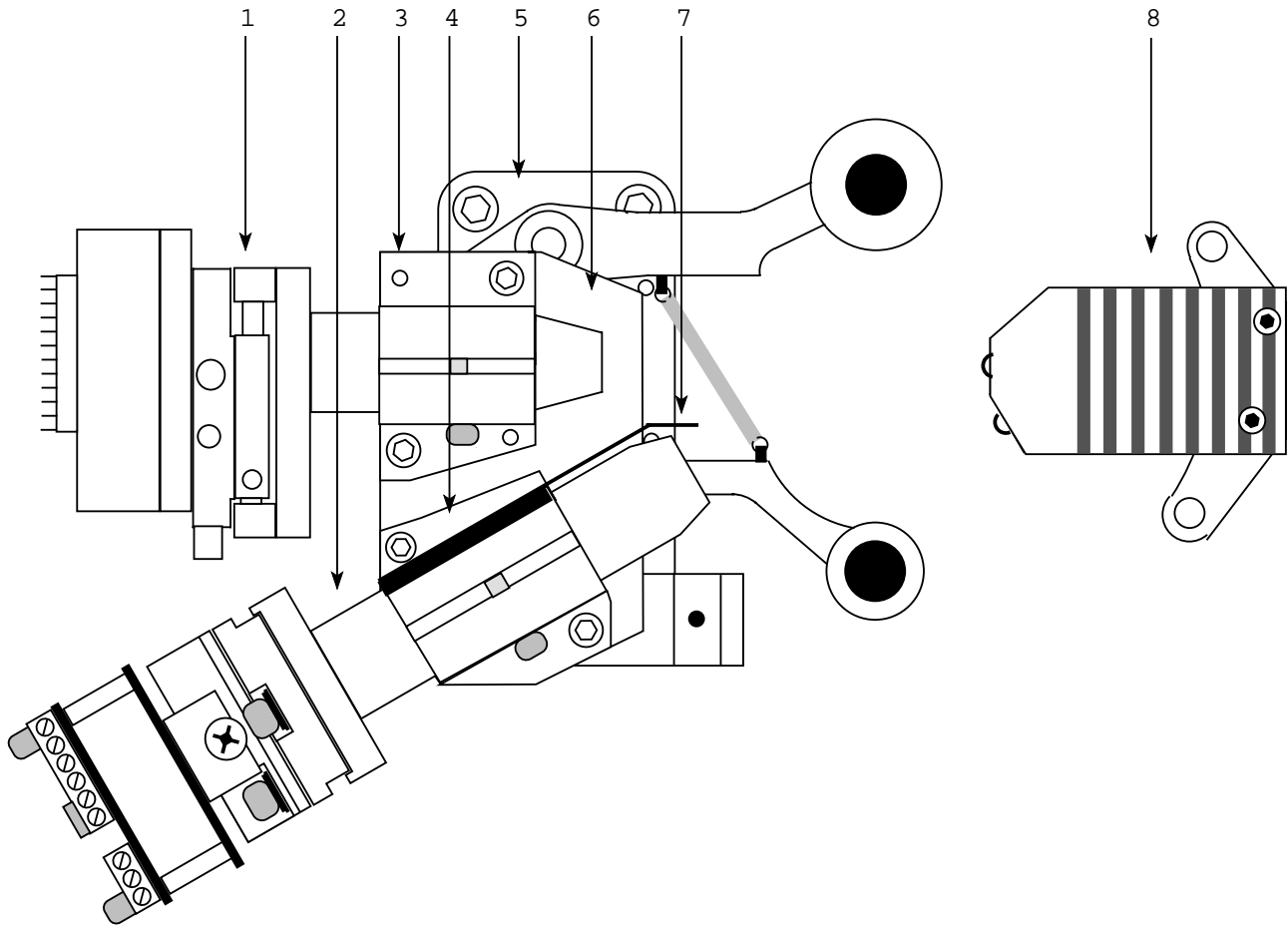


Diagram #	Part#	Description
1	ATD-1300	Digital Reader Assembly
4	9502113	Analog Reader Clamp Block
5	9502082	Dancer Arm and Base Assembly
6	9502111	Reader Mounting Plate
7	ATD-LS	Light Shield
8	ATD-1174	Dual LED Assembly

**ATD-1274 Dolby® Digital/Analog Basement Reader for Century Soundhead**

**AT-1174 Dual LED Assembly for Century**

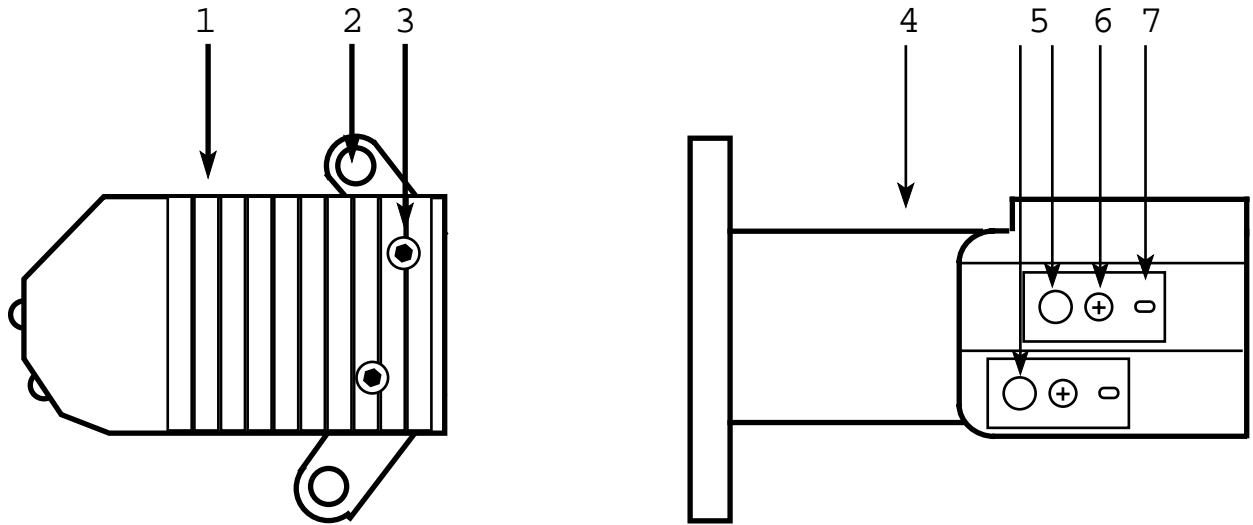


Diagram #	Part#	Description
1	AX-1446	Arm
2	AX-1174-1	Base
3	SHC4X750	Arm Mounting Screw
4	AX-1174-2	Post
5	AT-IRLED	LED
6	SPF2X250	Clamp Screw
7	9502125	LED Clamp

**ATD-1274 Dolby® Digital/Analog Basement Reader for Century Soundhead**

**9502082 Century Dancer Arm and Base Assembly**

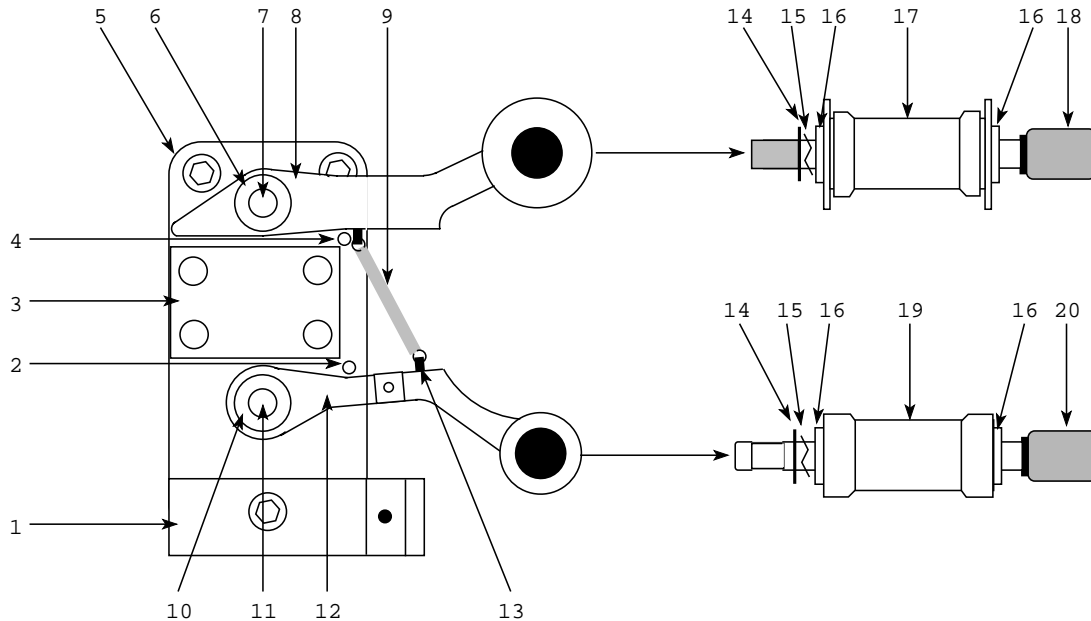


Diagram #	Part#	Description
1	8913105	Dash Pot Mounting Bracket
2	DP125375	Arm Stop Pin
3	9502110	Reader Mounting Plate Base
4	DP125375	Arm Stop Pin
5	8913092	Main Base Plate
6	BR188A4	Dancer Arm Bearing
7	8913098	Dancer Arm Post
8	8913093	Upper Dancer Arm
9	SG1274	Damper Spring
10	BR188A4	Dancer Arm Bearing
11	8913098	Dancer Arm Post
12	8913094	Lower Dancer Arm
13	8913112	Damper Spring Adjusting Stud
14	SR250	Snap Ring 1/4"
15	SW250	Spring Washer
16	BR188A7	Guide Guide Roller Bearing
17	8913103	Lateral Guide Roller
18	8913099	Lateral Guide Roller Shaft
19	8913104	Damper Roller
20	8913100	Damper Roller Shaft

**KELMAR**

Systems Inc., 284 Broadway, Huntington Station, NY 11746 • 631.421.1230 • FAX 631.421.1274

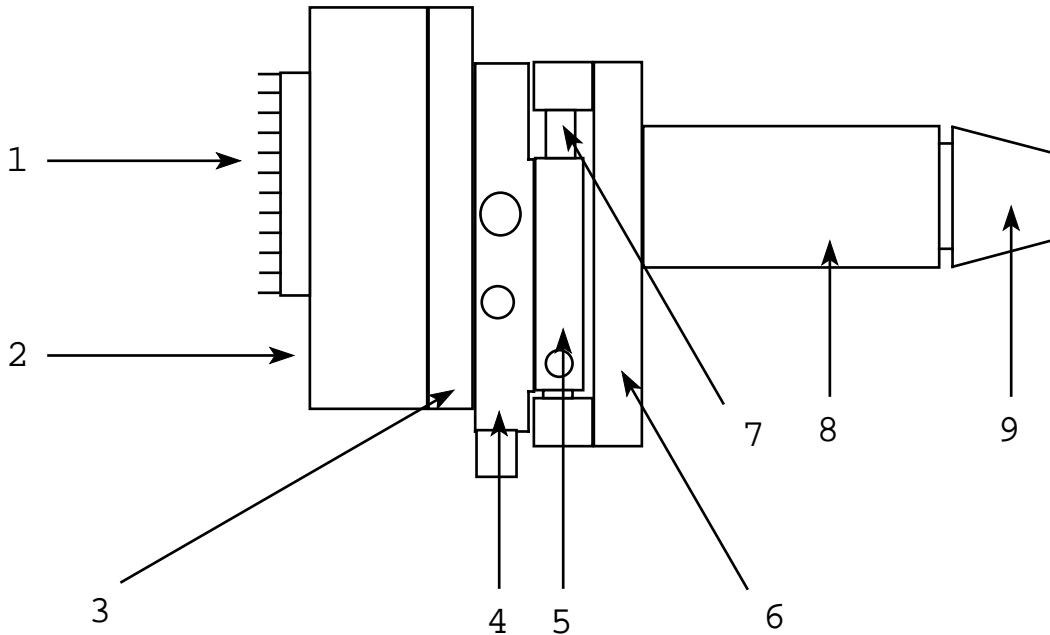
**ATD-1274 Dolby® Digital/Analog Basement Reader for Century Soundhead****ATD-1300 Dolby® Digital Reader Assembly**

Diagram #	Part#	Description
1	CAT-654	CCD Reader Board
2	9502115	CCD Reader Board Cover
3	9502114	CCD Reader Base Plate
4	AX-1266	Vertical Plate
5	AX-1262	Horizontal Plate
6	AX-1259-1	Base Plate
7	AX-1263-1	Horizontal Plate Runner Shaft
8	AX-1258-4	Lens Tube
9	ATD-L185	Lens and Carrier

**ATD-1274 Dolby® Digital/Analog Basement Reader for Century Soundhead**

**AT-1250 Analog Lens and Solar Cell Assembly**

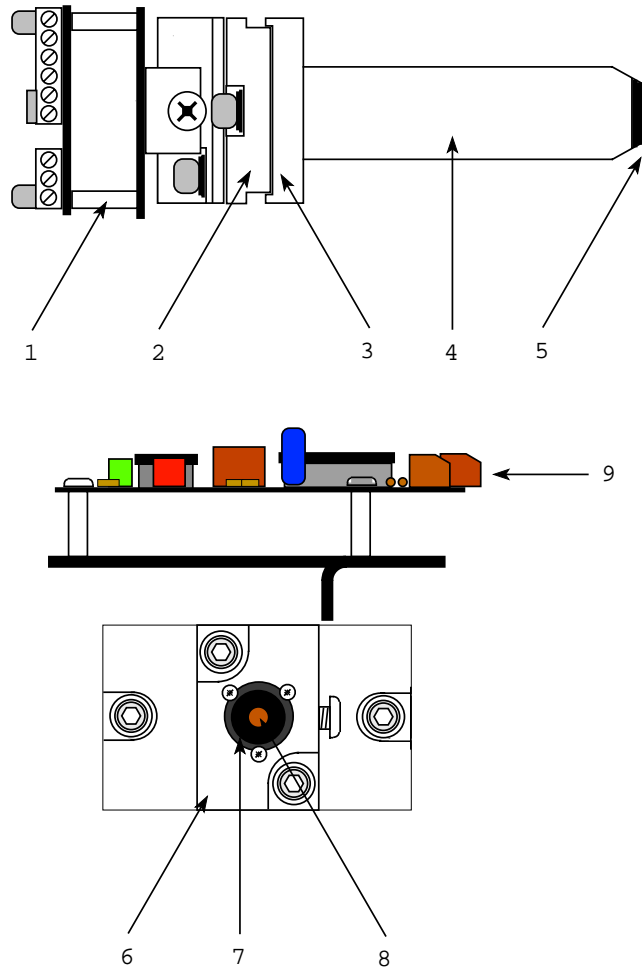


Diagram #	Part#	Description
1	9565	Pre-Amp Board Mounting Plate
2	AT-1246	Horizontal Slide
3	AT-1239-1	Main Base Plate
4	AT-1255	Lens Tube
5	AT-L1765	Lens
6	AT-1247	Vertical Slide
7	AT-1268	Solar Cell Retainer
8	AT-655-WM	Solar Cell W/Mask
9	PC-7929	Solar Cell Pre-Amp