

**KELMAR**

Systems Inc., 284 Broadway, Huntington Station, NY 11746 • 631.421.1230 • FAX 631.421.1274

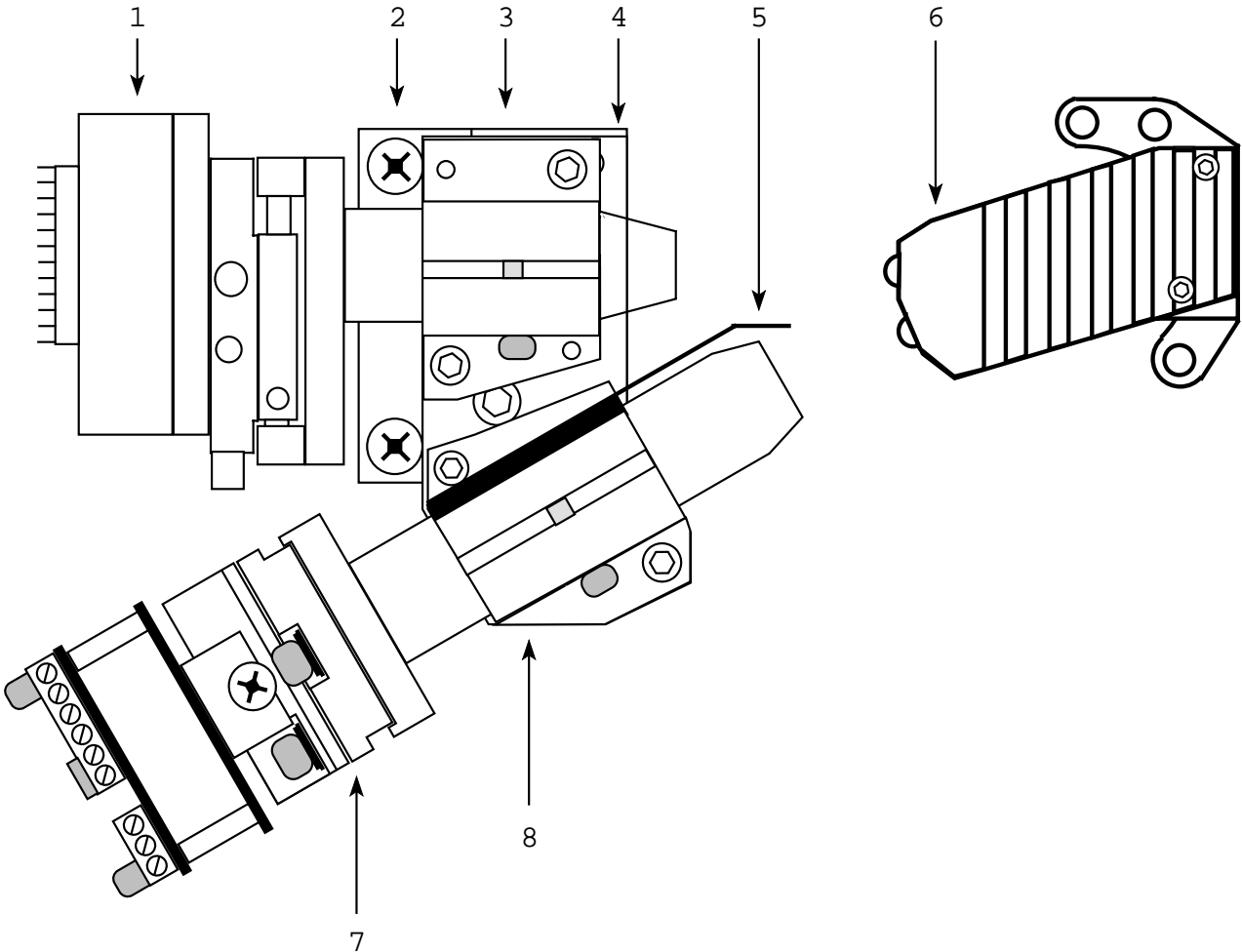
ATD-1276 Dolby® Digital/Analog Basement Reader for Simplex Soundhead

Diagram #	Part#	Description
1	ATD-1300	Digital Reader Assembly
2	9502310	Mounting Base Plate
3	9502112	Digital Reader Clamp Block
4	9502311	Reader Mounting Plate
5	ATD-LS	Light Shield
6	ATD-1176	Dual LED Assembly
7	AT-1250	Analog Reader Assembly
8	9502113	Analog Reader Clamp Block



KELMAR

Systems Inc., 284 Broadway, Huntington Station, NY 11746 • 631.421.1230 • FAX 631.421.1274

ATD-1276 Dolby® Digital/Analog Basement Reader for Simplex Soundhead

AT-1176 Dual LED Assembly for Simplex

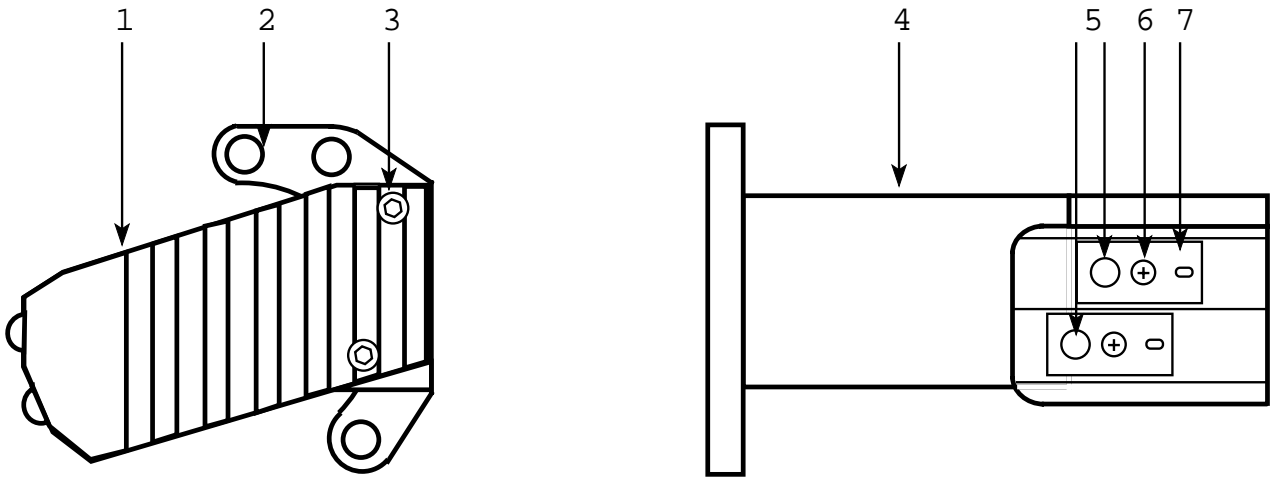


Diagram #	Part#	Description
1	9502324	Arm
2	AX-1176-1	Base
3	SHC4X750	Arm Mounting Screw
4	AX1176-2	Post
5	AT-IRLED	LED
6	SPF2X250	Clamp Screw
7	9502125	LED Clamp

**KELMAR**

Systems Inc., 284 Broadway, Huntington Station, NY 11746 • 631.421.1230 • FAX 631.421.1274

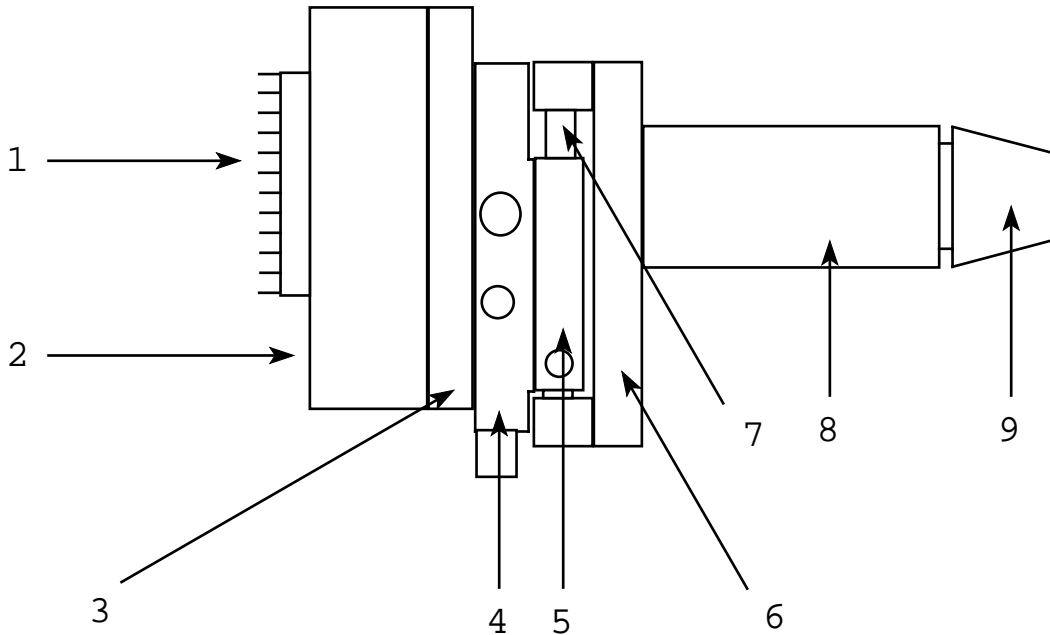
ATD-1276 Dolby® Digital/Analog Basement Reader for Simplex Soundhead**ATD-1300 Dolby® Digital Reader Assembly**

Diagram #	Part#	Description
1	CAT-654	CCD Reader Board
2	9502115	CCD Reader Board Cover
3	9502114	CCD Reader Base Plate
4	AX-1266	Vertical Plate
5	AX-1262	Horizontal Plate
6	AX-1259-1	Base Plate
7	AX-1263-1	Horizontal Plate Runner Shaft
8	AX-1258-4	Lens Tube
9	ATD-L185	Lens and Carrier

ATD-1276 Dolby® Digital/Analog Basement Reader for Simplex Soundhead

AT-1250 Analog Lens and Solar Cell Assembly

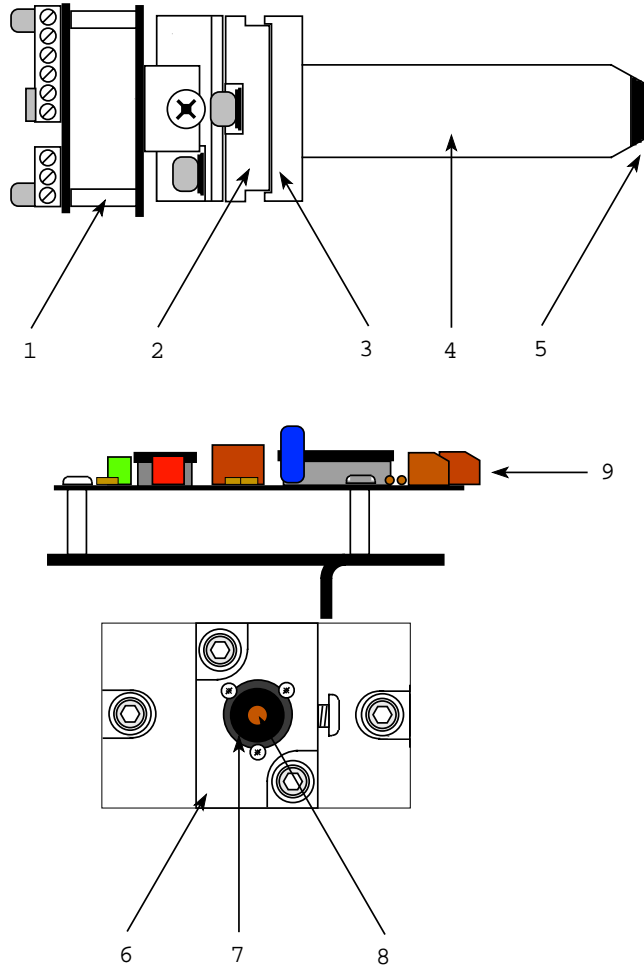


Diagram #	Part#	Description
1	9565	Pre-Amp Board Mounting Plate
2	AT-1246	Horizontal Slide
3	AT-1239-1	Main Base Plate
4	AT-1255	Lens Tube
5	AT-L1765	Lens
6	AT-1247	Vertical Slide
7	AT-1268	Solar Cell Retainer
8	AT-655-WM	Solar Cell W/Mask
9	PC-7929	Solar Cell Pre-Amp