

JB-2000 Surround EX Speaker Termination Panel

GENERAL

The KELMAR JB-2000 Surround Speaker Terminal Box has been designed to provide a termination point for Auditorium Surround Speaker wires and conduits. The JB-2000 allows the Electrical Contractor to complete the installation of the Speaker conduits and pull in all wires prior to delivery and installation of the Sound Rack. The JB-2000 provides a convenient Termination and Test Point for Surround Speakers to minimize the wiring inside the Audio Rack.

JB-2000 Dimensions: 9" wide X 12" high X 3" deep.

The JB-2000 is intended to serve up to 24 Surround Speakers.

The JB-2000 provides a Terminal Strip for a series / parallel Surround Speaker Connection. For Surround Arrays with less than even Speaker quantities, Resistors are provided to maintain proper Amplifier loading.

INSTALLATION

The JB-2000 should be located on the wall of the Projection Room at the Audio Rack. A typical installation is to locate the Audio Rack on the Operating Side of the Projector and the Platter on the Non-Operating side. For this installation, locate the Left Side of the JB-2000 8'-0" from the CENTERLINE of the Projection Port with the Bottom of the JB-2000 located at 4'-0" AFF.

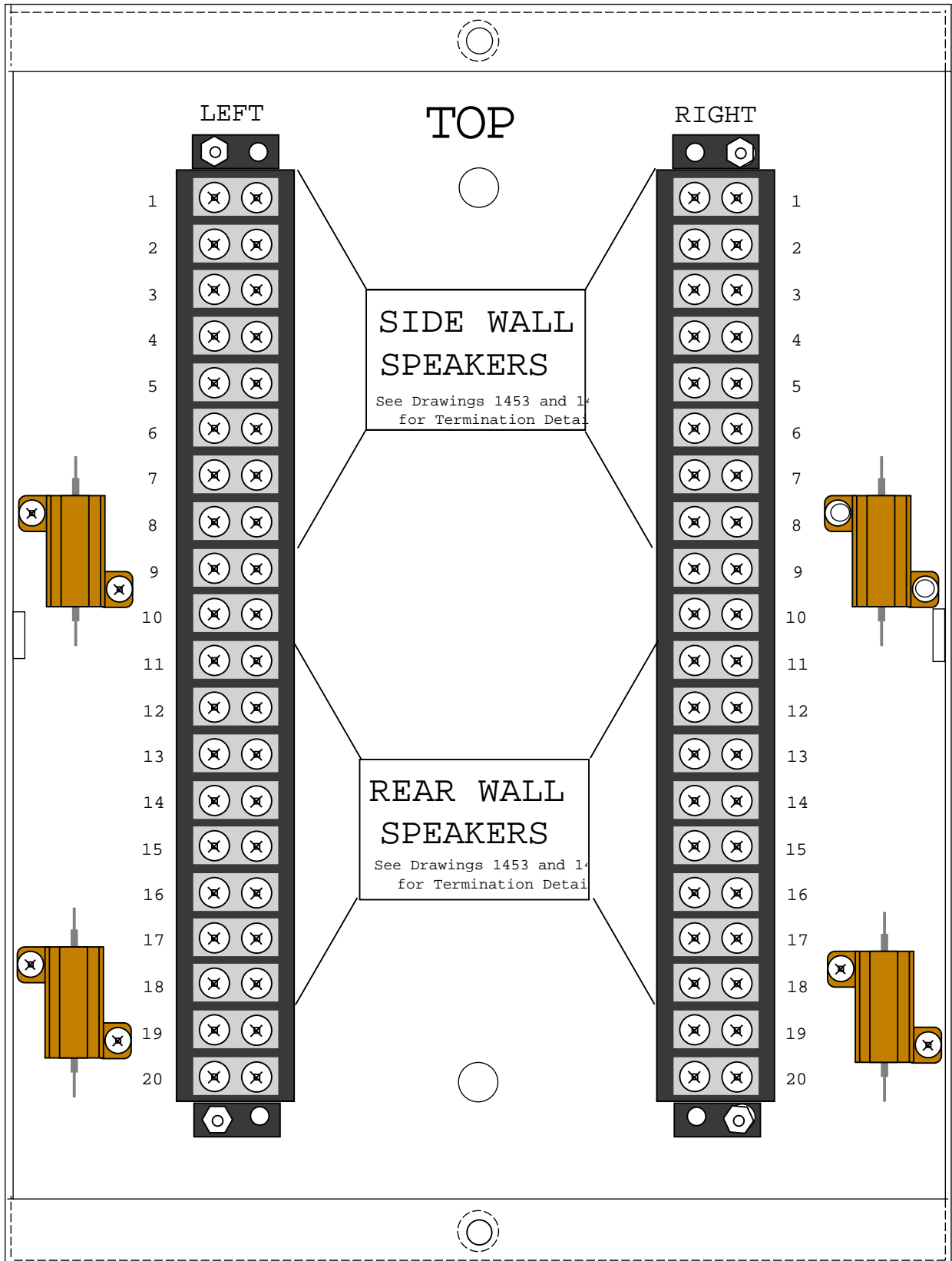
Connection of the JB-2000 to the Audio Rack should be made with Flexible Liquidtite or Sealtite Conduit. The JB-2000 has two 3/4" conduit openings on the bottom for connection to the Audio Rack. The top of the JB-2000 contains four 3/4" conduit openings Surround Speaker Conduits. The Electrical Contractor can punch these to a larger size if required.

Refer to the following Termination Drawings:

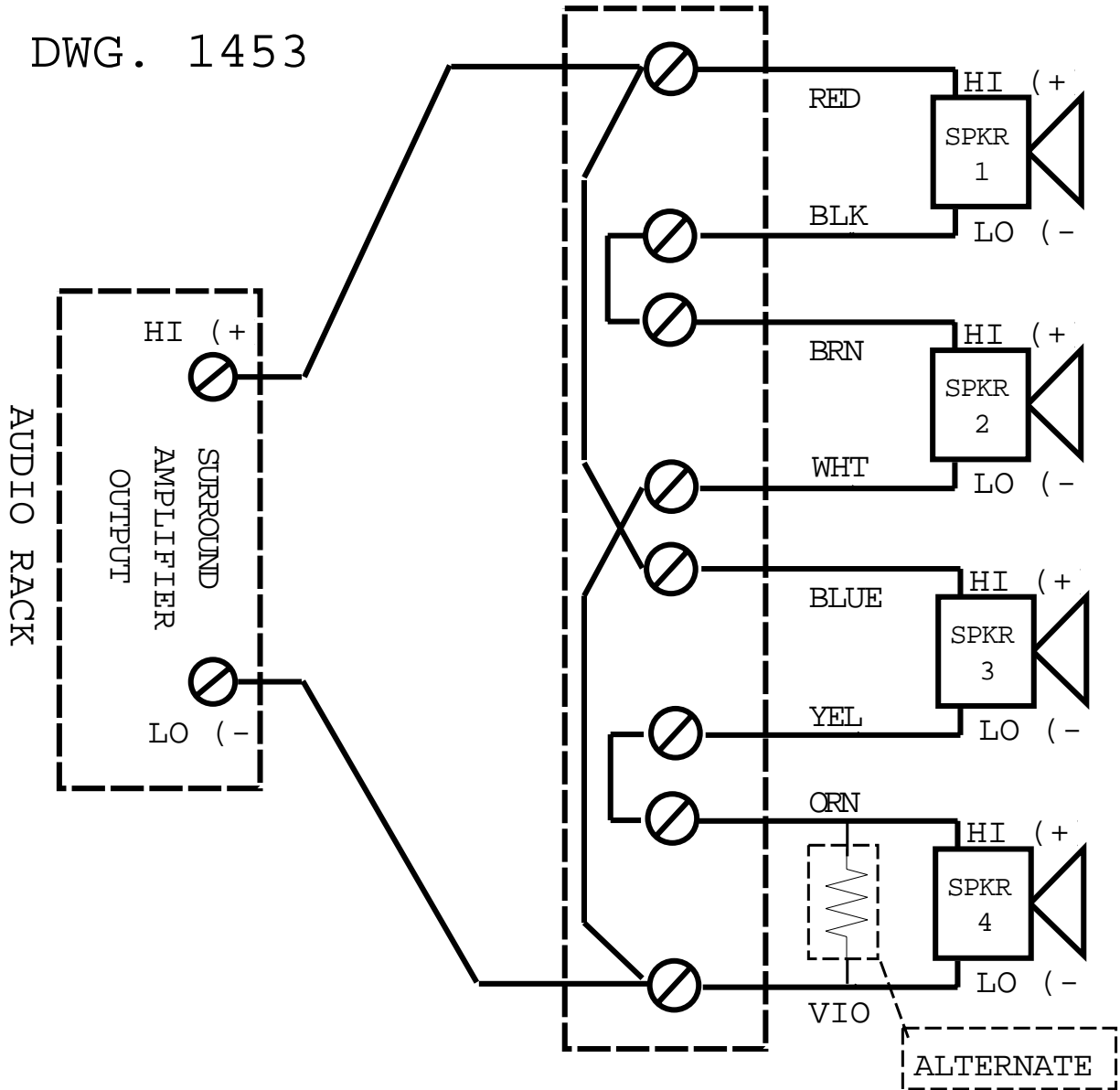
NO.1453 for 3 or 4 Speakers per Channel

NO.1454 for 5 or 6 Speakers per Channel

**If further information is required please contact:
Kelmar Systems Inc.**



The JB-2000 Surround Speaker Terminal Box is Factory Wired in this Configuration.



DWG. 1454

